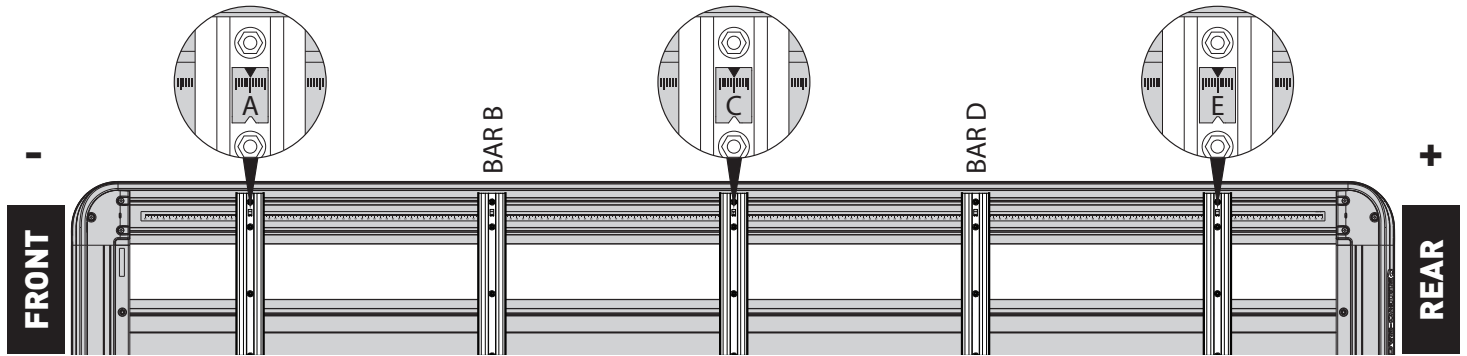


| VEHICLE | PIONEER SIZE | CONNECTOR |
|----------------------------|--------------|-----------|
| LAND ROVER Discovery 3 & 4 | 52107 | RD4B1 |

| IMPORTANT NOTES | Requires Kit SP309; Fit Backbone System to vehicle before fitting Pioneer System |
|-----------------|--|
|-----------------|--|

| REGION | AUS | NZ | USA | CA | EU | SA | ZA |
|---------------|-----------------|----|-----|----|----|----|----|
| AVAILABILITY | ✓ | ✓ | ✓ | ✓ | ✓ | | ✓ |
| RUNNING DATES | Apr-05 - Jun-17 | - | - | - | - | - | - |

UNDERBAR SPACING



| BAR NO. | A | B | C | D | E | F | G |
|----------------|-------|-------|------|------|------|---|---|
| DIMENSION (CM) | -78.5 | -15.6 | 13.7 | 48.4 | 84.5 | - | - |
| SPACERS REQ'D | - | - | - | - | - | - | - |

| VEHICLE LOAD LIMIT (kgs / lbs) | SYSTEM WEIGHT (kgs / lbs) PLATFORM + CONNECTOR | ON-ROAD CARGO ALLOWANCE (kgs / lbs) | OFF-ROAD CARGO ALLOWANCE (kgs / lbs) |
|--------------------------------|---|-------------------------------------|--------------------------------------|
| 75 / 164.5 | 37.1 / 81.8 | 37.9 / 83.6 | 25.3 / 55.7 |

NOTES FOR DEALERS / FITTERS

It is your responsibility to ensure these fitting instructions are given to the end user or client.

Document No: R2298
 Issue No: 0
 Issue Date: 21/10/2019

These instructions remain the property of Rhino-Rack Australia Pty. Ltd. and may not be used or changed for any other purpose than intended.