

# RHINO-RACK®

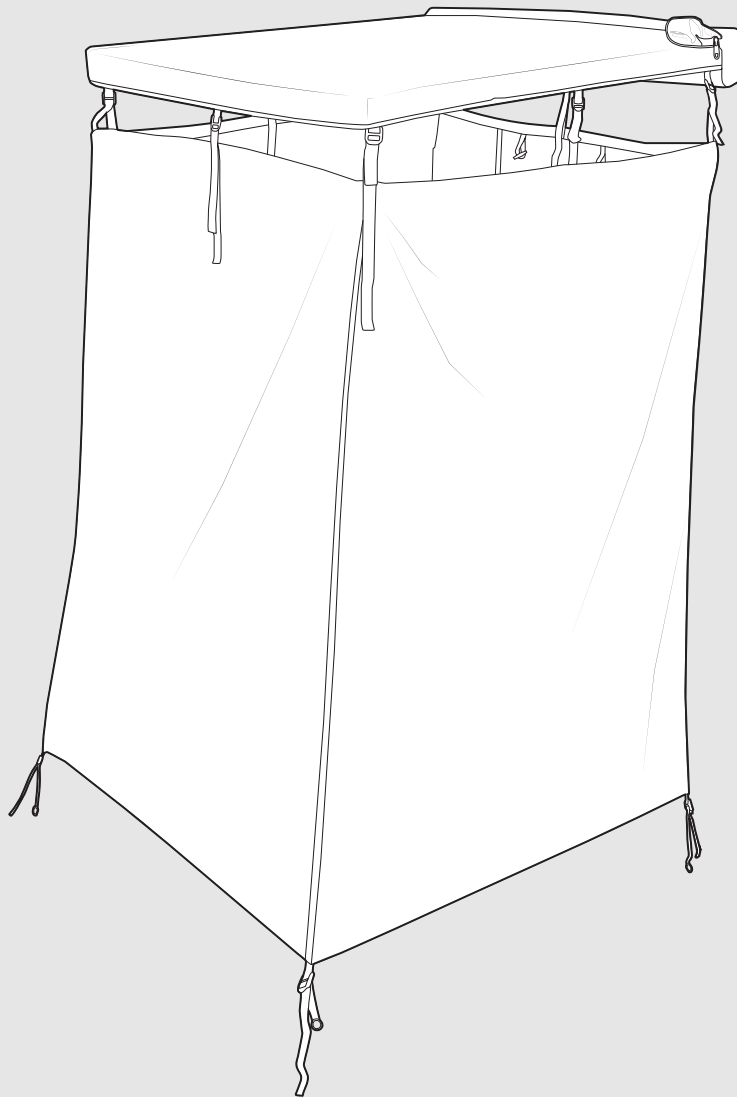
## Rhino-Rack Shower Tent

32149

### Important:

1. Check the Rhino-Rack website to ensure you have the latest issue of these instructions.
2. Please refer to your fitting instruction to ensure that the roof racks are installed in the correct locations.
3. Check the contents of kit before commencing fitment and report any discrepancies.
4. Place these instructions in the vehicle's glove box after installation is complete.
5. These instructions must be followed for warranty to be upheld.

**Fit Time:** 15 mins



TWO-PERSON  
INSTALLATION



Thank you for choosing Rhino-Rack!



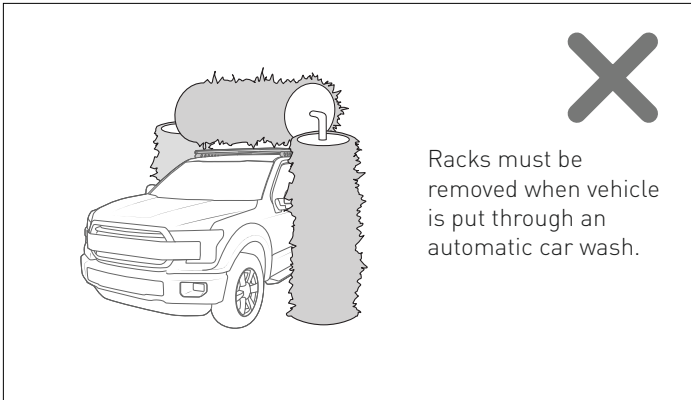
**WELCOME TO THE HERD.**

For peace of mind register your product by heading to [rhinorack.com/register](https://rhinorack.com/register)

**Rhino-Rack AUSTRALIA**  
22A Hanson Place,  
Eastern Creek, NSW 2766

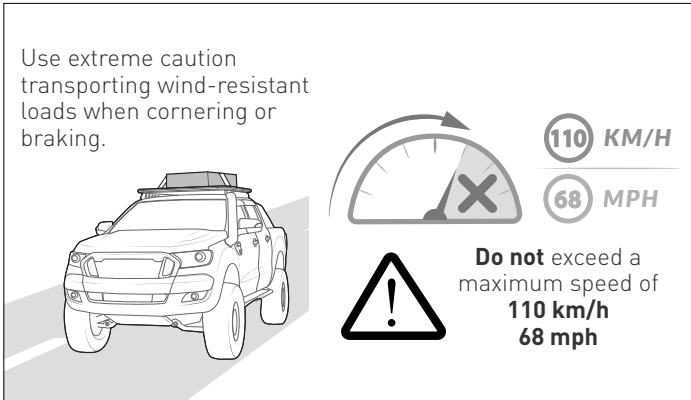
**Rhino-Rack USA**  
19822 E. 22nd Avenue,  
Unit B, Aurora, CO 80011

**RHINORACK.COM**  
Document No: 520-RFI-00212  
Issue No: 05  
Issue Date: 18/06/2025



Racks must be removed when vehicle is put through an automatic car wash.

Use extreme caution transporting wind-resistant loads when cornering or braking.



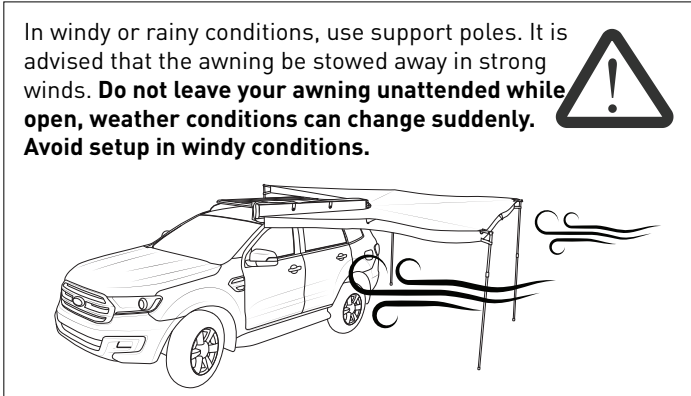
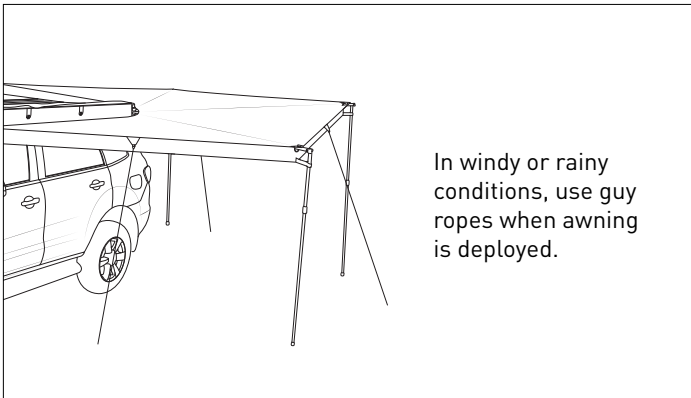
110 KM/H  
68 MPH

Do not exceed a maximum speed of 110 km/h 68 mph



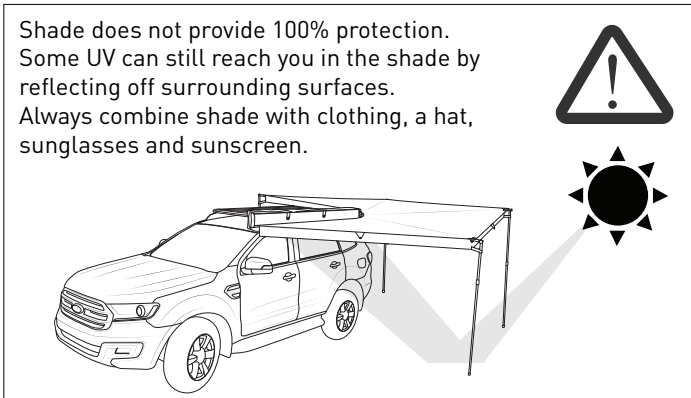
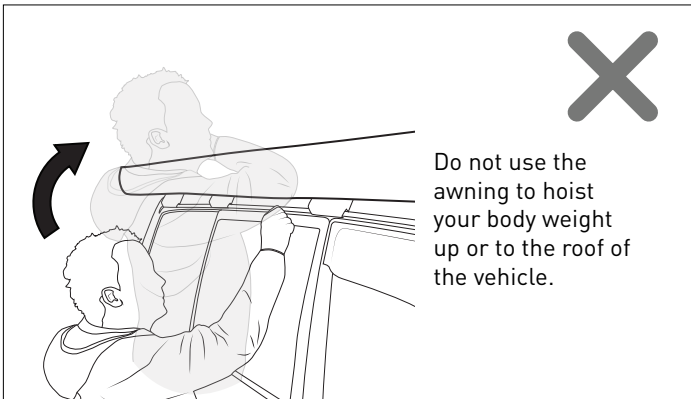
If awning is wet, dry before you stow.

In windy or rainy conditions, use support poles. It is advised that the awning be stowed away in strong winds. **Do not leave your awning unattended while open, weather conditions can change suddenly. Avoid setup in windy conditions.**

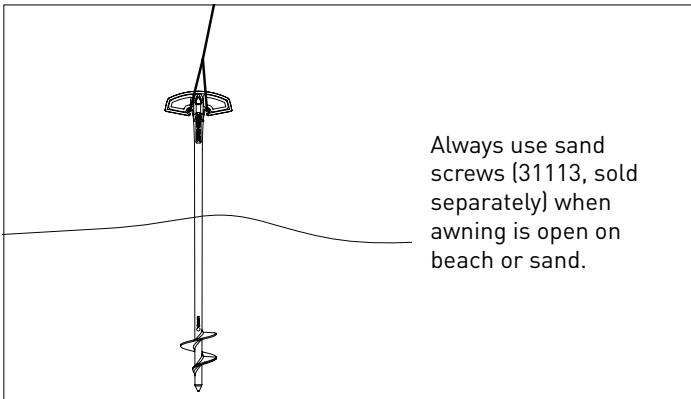



In windy or rainy conditions, use guy ropes when awning is deployed.

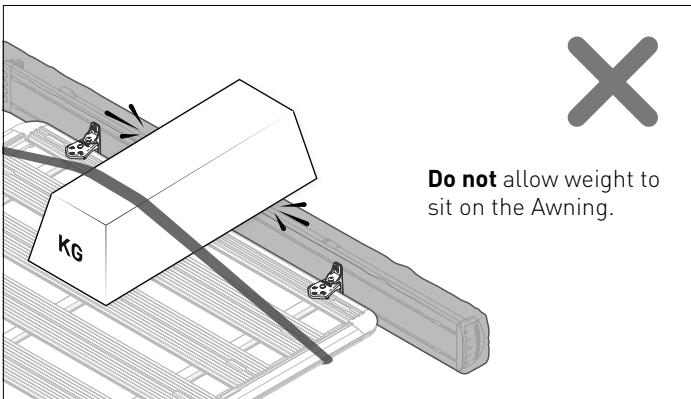
Shade does not provide 100% protection. Some UV can still reach you in the shade by reflecting off surrounding surfaces. Always combine shade with clothing, a hat, sunglasses and sunscreen.

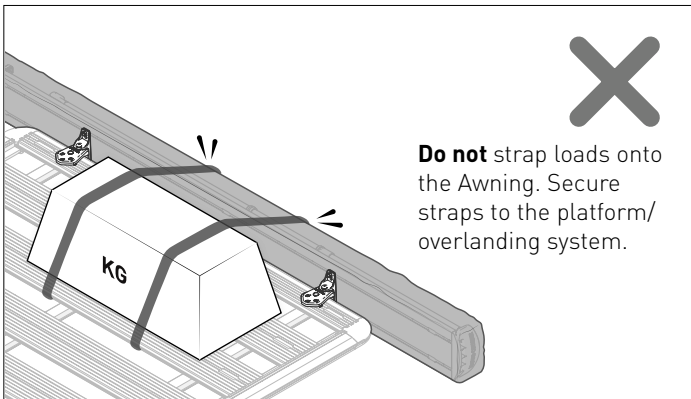
Do not use the awning to hoist your body weight up or to the roof of the vehicle.



Always use sand screws (31113, sold separately) when awning is open on beach or sand.



Do not allow weight to sit on the Awning.



Do not strap loads onto the Awning. Secure straps to the platform/overlanding system.

## Important Information

### Recommendations

#### Use only non-stretch fastening ropes or straps.

Please remove Batwing Awning and crossbars when putting vehicle through an automatic car wash.

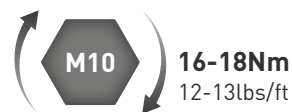
Do not stow away the awning for long periods if it is wet. You must allow the awning material to dry completely before storing for extended periods of time. When rolling up the awning, avoid excessive bunching up of the material before stowing. The awning should be rolled up as neatly as possible following the instruction on page 9.

### In service maintenance checks

- All bolt connections should be checked after driving a short distance when you first install your roof racks.
- All bolted connections should be checked again at regular intervals (weekly is recommended, depending on road conditions, usage, loads and distances travelled).
- All bolted connections should be checked each time they are re-fitted.
- Off-road conditions are more rigorous. Check all bolted connections and your load more regularly.
- Ensure that your vehicle manufacturer's GVM, and gross axle weights are not exceeded (refer to vehicle owner's manual).

#### Torque Settings:

Unless stated otherwise in these instructions, all fasteners should be set to the following torque settings:



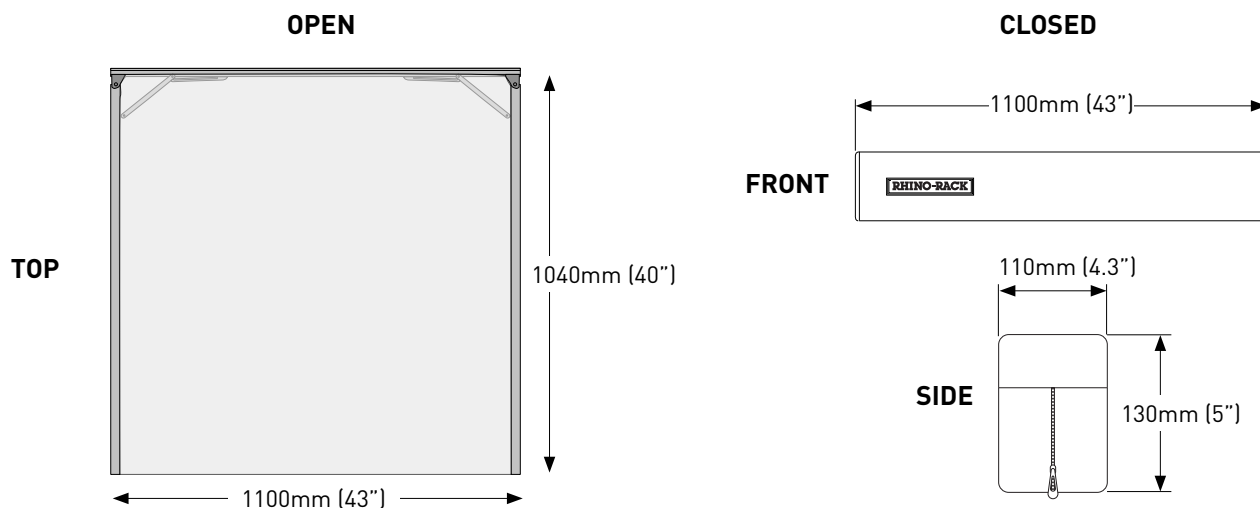
### Load Ratings

With the addition of the Shower Tent, the load capacity of your crossbars will have to be adjusted accordingly. The Shower Tent with mounting brackets weighs approximately 6.7 kg.

### Note for Dealers and Fitters

It is your responsibility to ensure this fitting instruction is given to the end user or client. It is your responsibility to ensure these fitting instructions are given to the end user or client. These instructions remain the property of Rhino-Rack Australia Pty. Ltd. and may not be used or changed for any other purpose than intended.

### Critical Dimensions

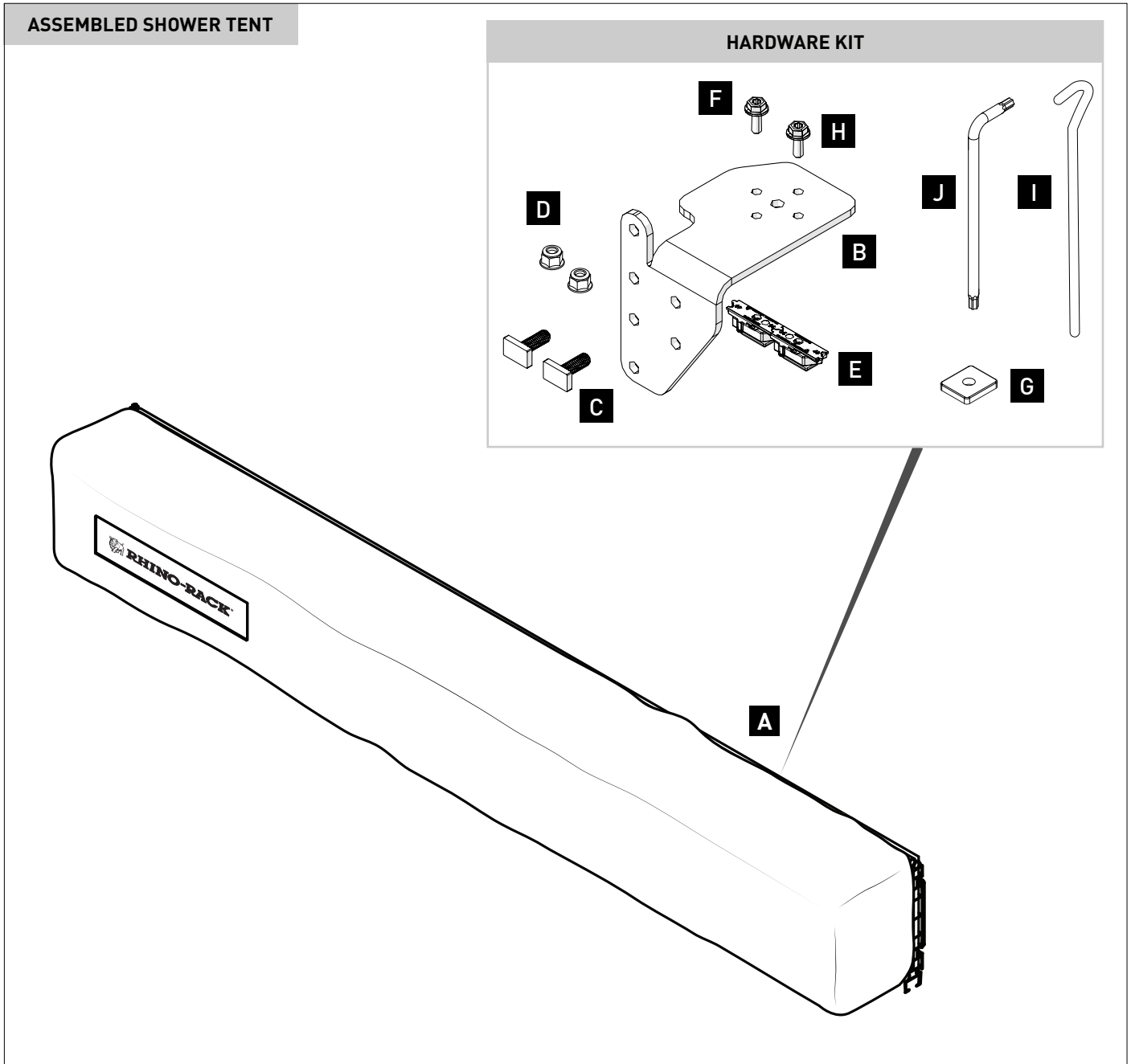


## CONTENTS

Installation onto:

Pioneer Platforms	Steps	<b>1</b> - <b>6</b>	and	<b>10</b> - <b>17</b>
VA / RD / Sportz Crossbars	Steps	<b>7</b> - <b>17</b>		
Operation	Steps	<b>18</b> - <b>25</b>		
Storage	Steps	<b>26</b> - <b>32</b>		
Accessories	Steps	<b>33</b> - <b>34</b>		

Parts List



Item	ASSEMBLED SHOWER TENT	Qty
A	Shower Tent Main Body	1
Item	HARDWARE KIT	Qty
B	Base Bracket	2
C	M8 T-Bolt	4
D	M8 Flanged Nyloc Nut	4
E	Zwifloc Drop-In Nut	4
F	M6 x 16 Hex Head Flanged Bolt	4
G	Square Nut	4
H	M6 x 12 Hex Head Flanged Bolt	4
I	Metal Peg	4
J	Torx Key (T30)	1

**TOOLS REQUIRED:**

T1 - Tape Measure

T2 - Step Ladder

T3 - 10mm & 13mm Spanner (or Socket Wrench)

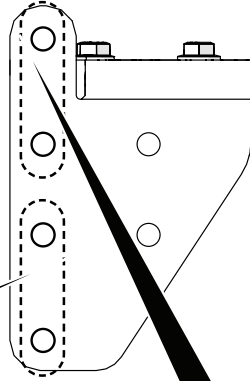
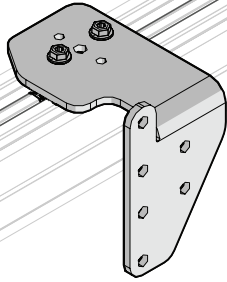
**NOTE**

**Bracket Height Setup**

The bracket can be set up in **4** different **height configurations**. Before starting, decide which configuration best suits your setup.

*(For the purpose of these instructions, the steps are shown in the **Extra LOW** configuration.)*

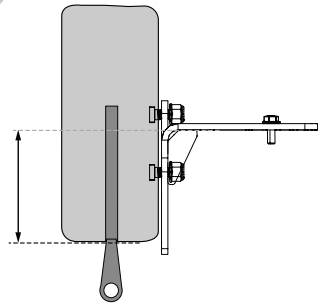
**LOW CONFIGURATION**



**LOW**

**L1**

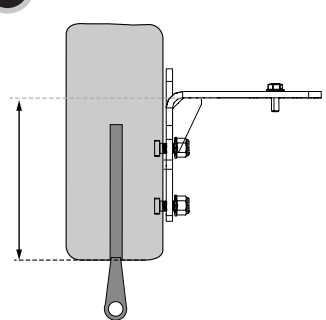
**72mm**  
(2.9")



**EXTRA LOW**

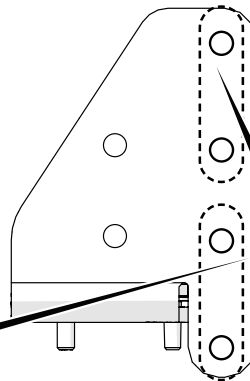
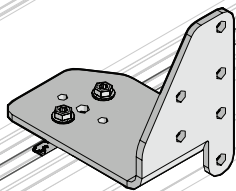
**L2**

**130mm**  
(5.1")



OR

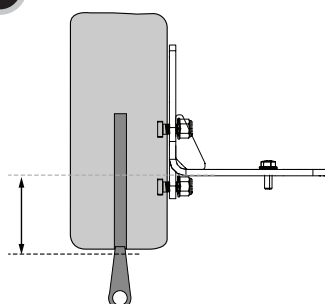
**HIGH CONFIGURATION**



**HIGH**

**H1**

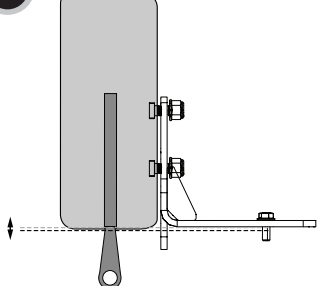
**65mm**  
(2.5")



**EXTRA HIGH**

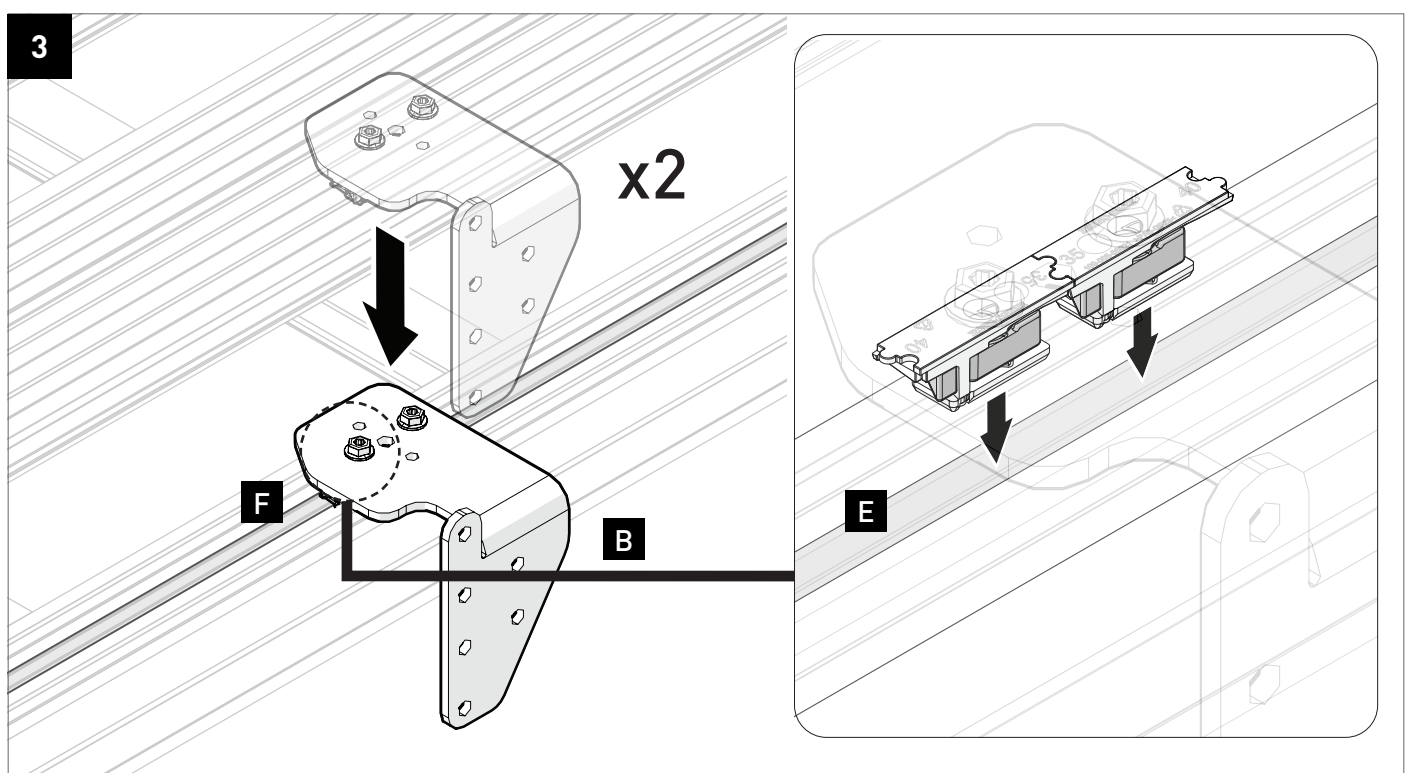
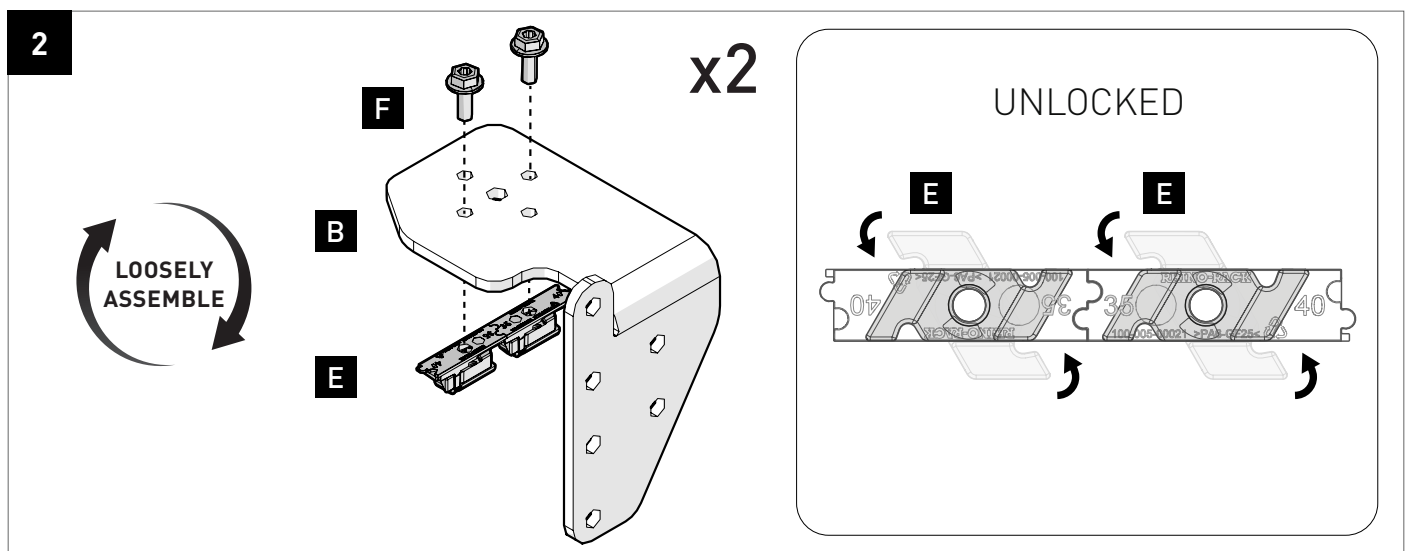
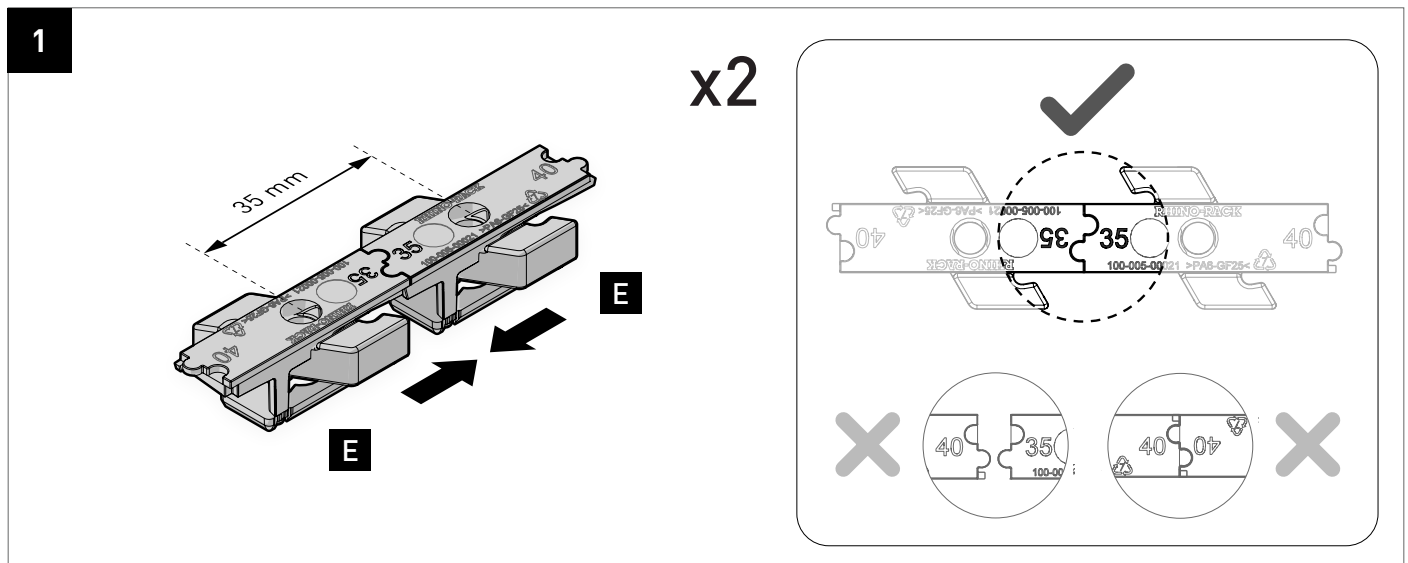
**H2**

**0mm**  
(0")

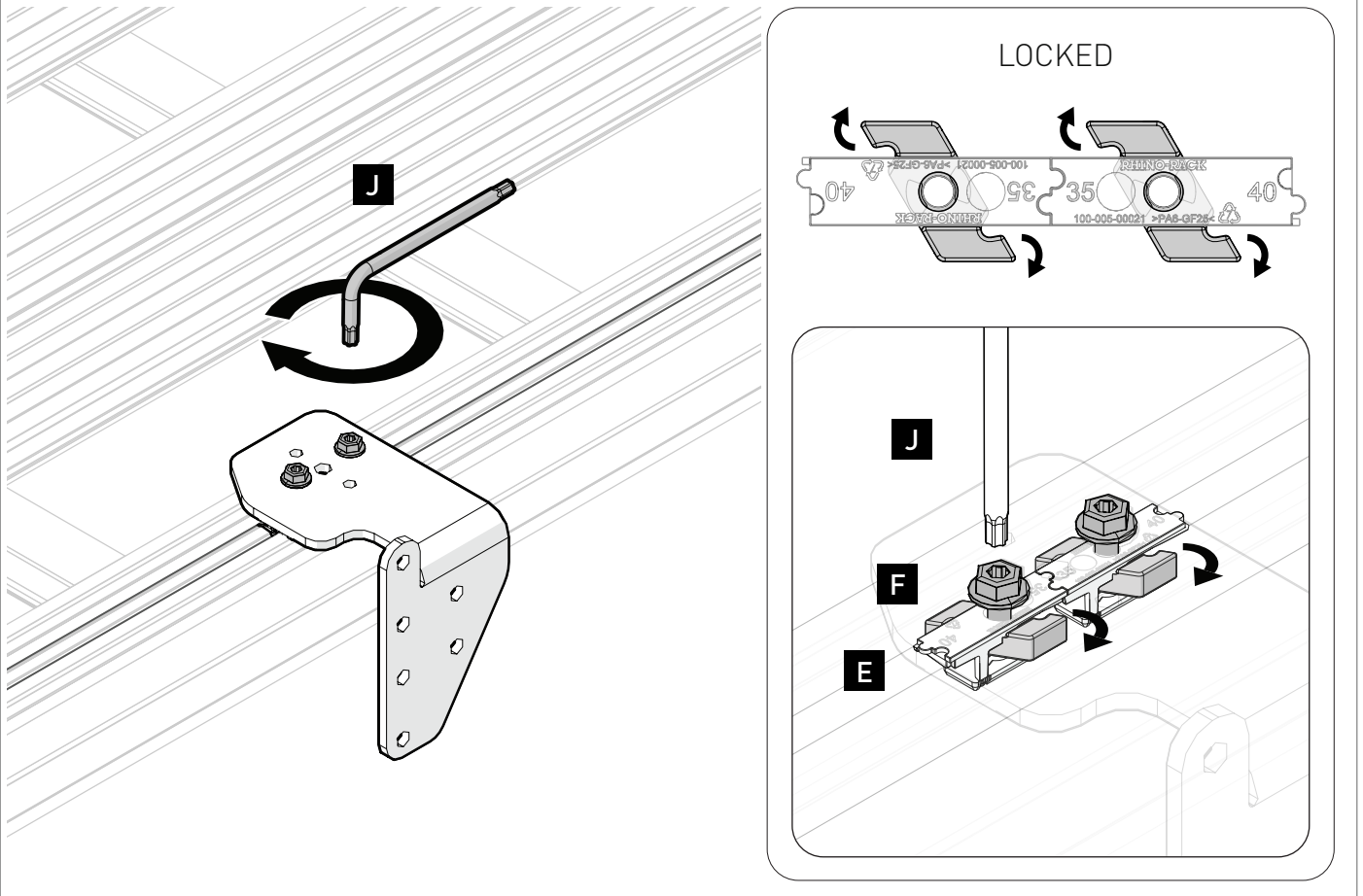


## For Installation onto PIONEER PLATFORMS

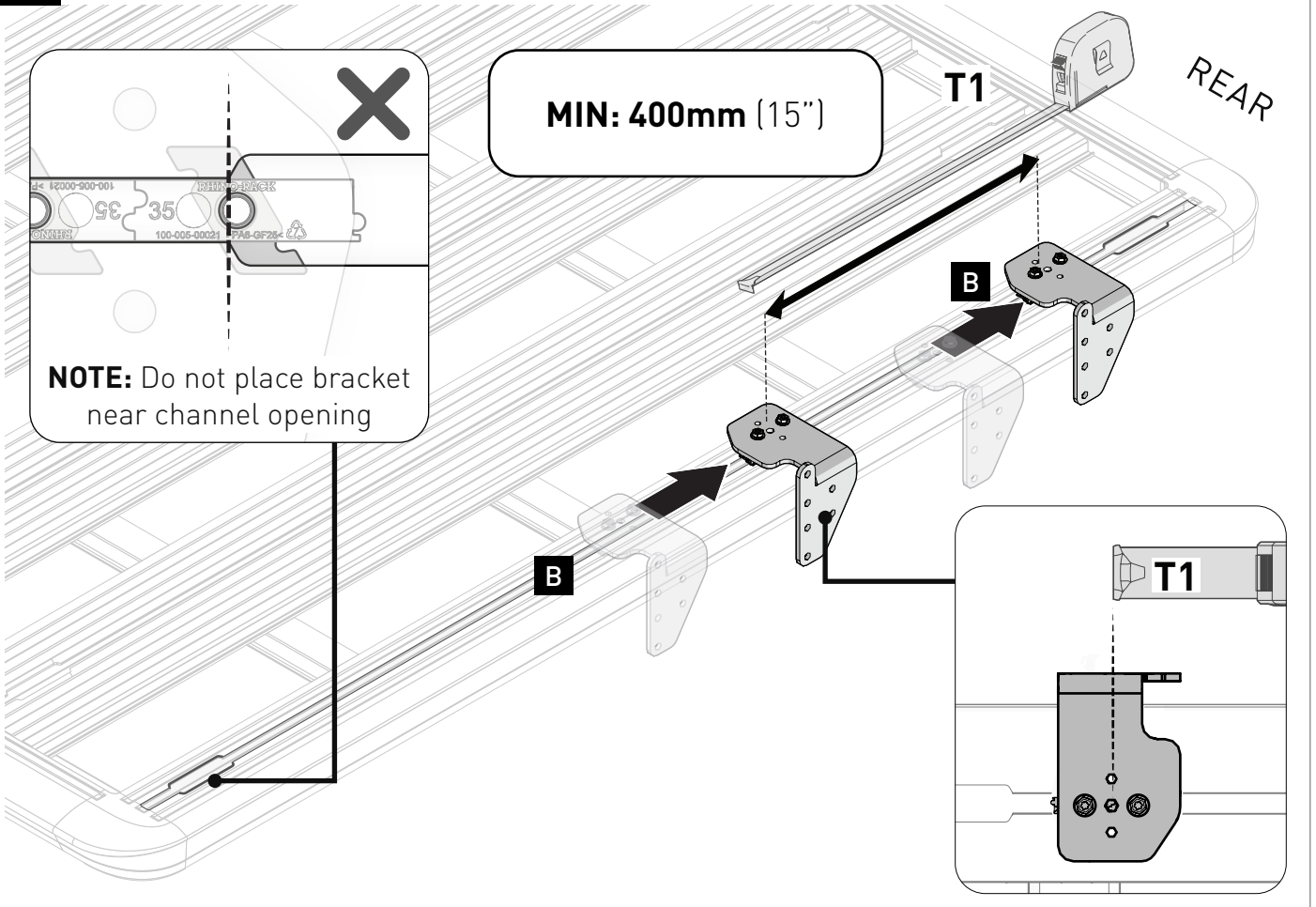
(For Crossbars, skip to Step **7**)

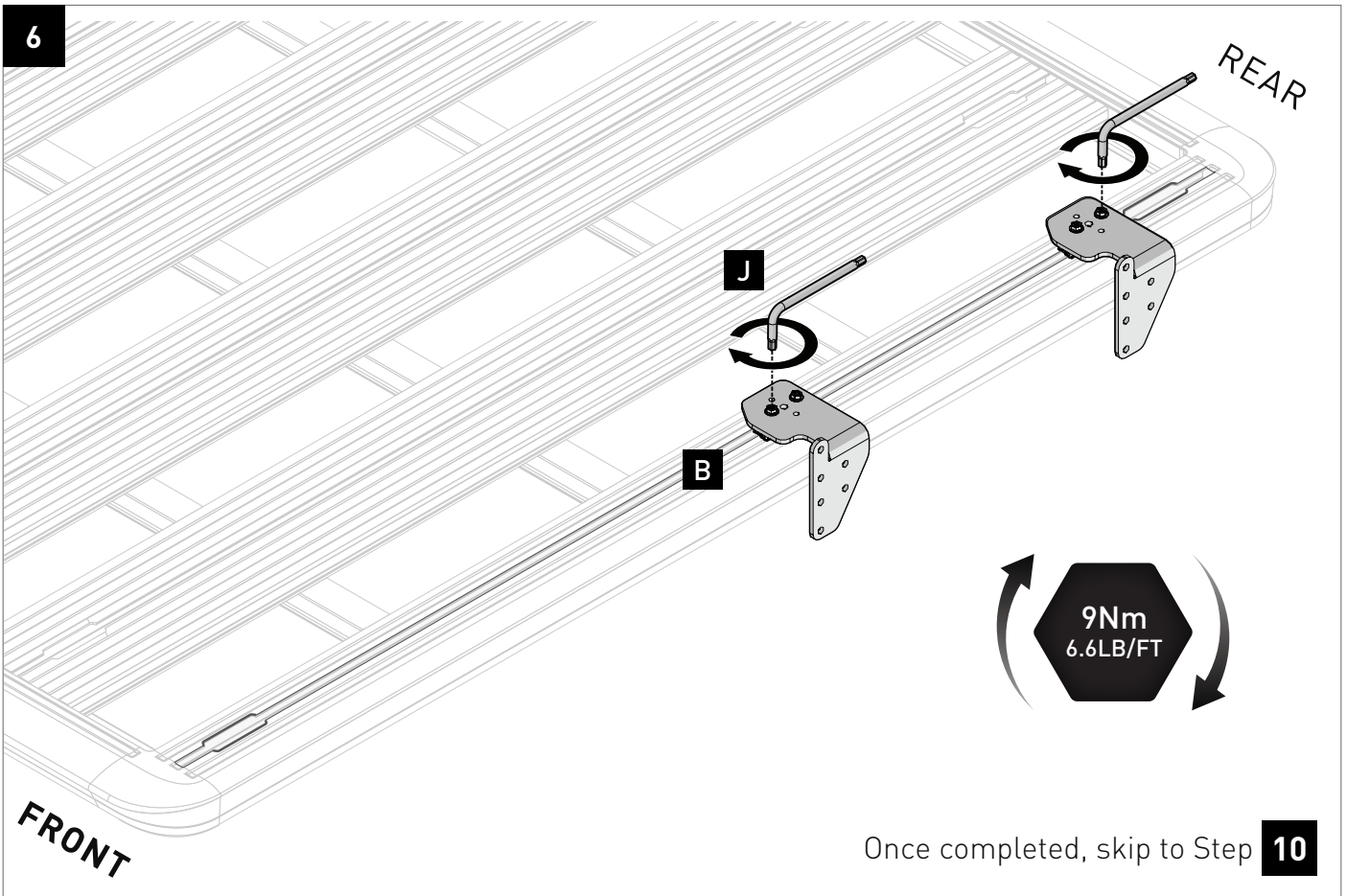


**4** Loosely fasten into the channel, but do not tighten.



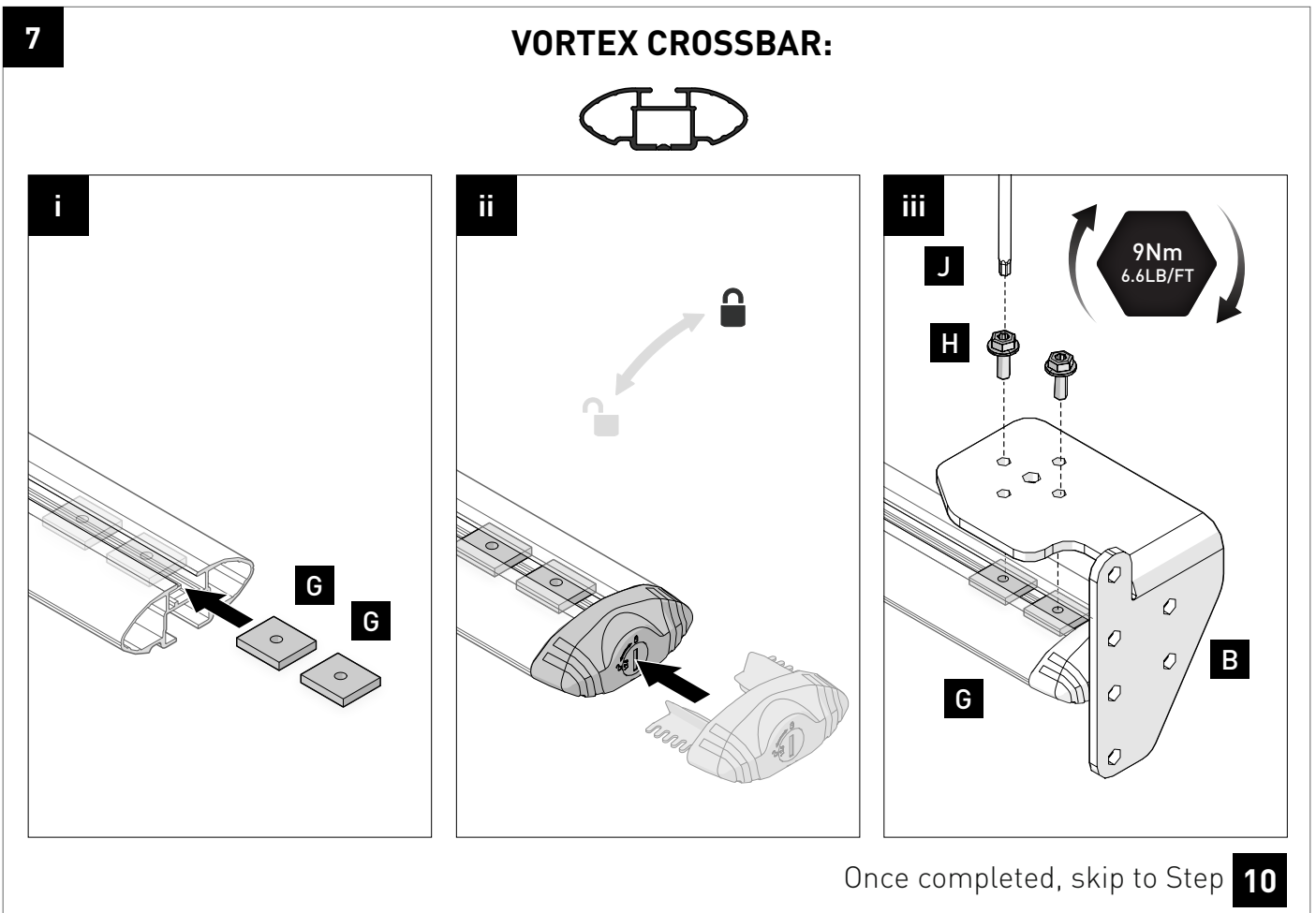
**5** Move brackets to outermost edges of Platform, **avoiding channel apertures**.





**FOR INSTALLATION ONTO CROSSBARS**

(For Platforms skip to Step **10**)



8

### RECONN-DECK CROSSBAR:



**i**

**F** x2

**B**

**E**

LOOSELY ASSEMBLE

**ii**

**E**

**J**

**F**

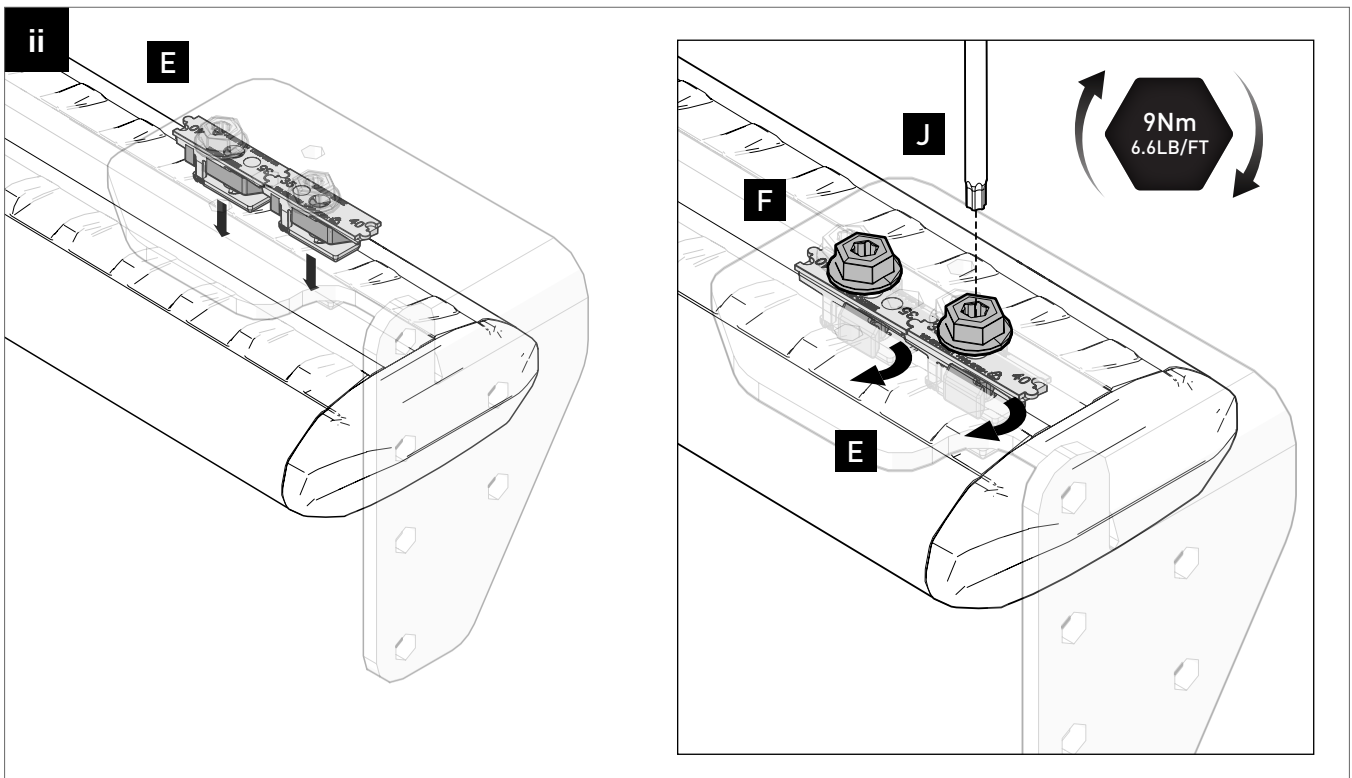
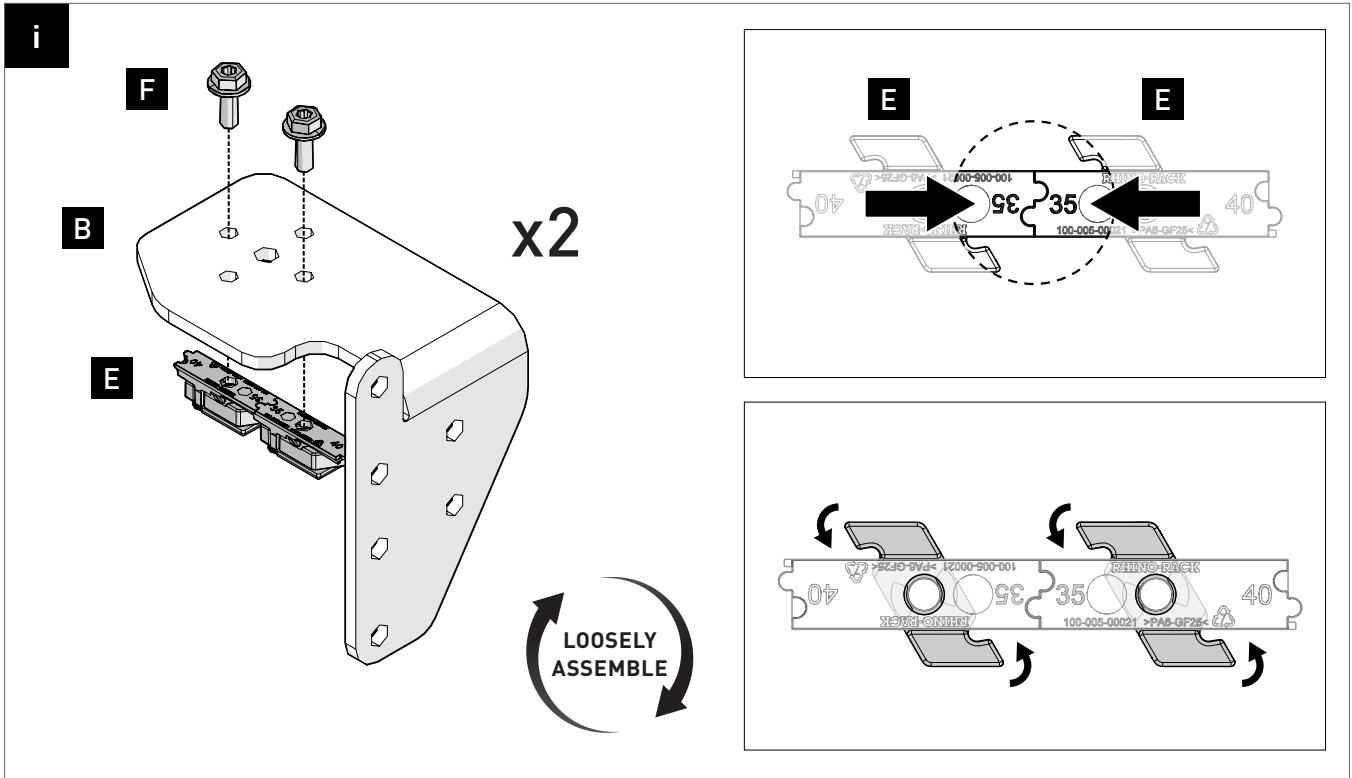
**E**

9Nm  
6.6LB/FT

Once completed, skip to Step **10**

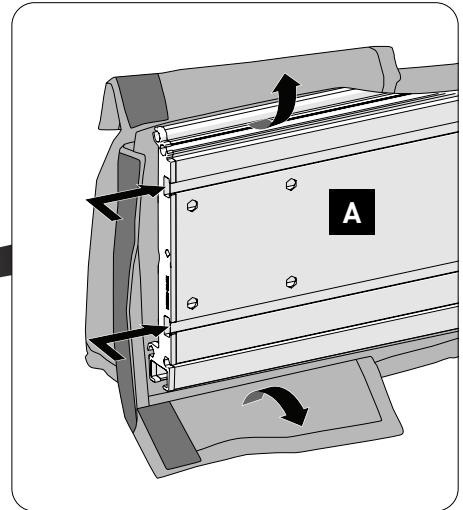
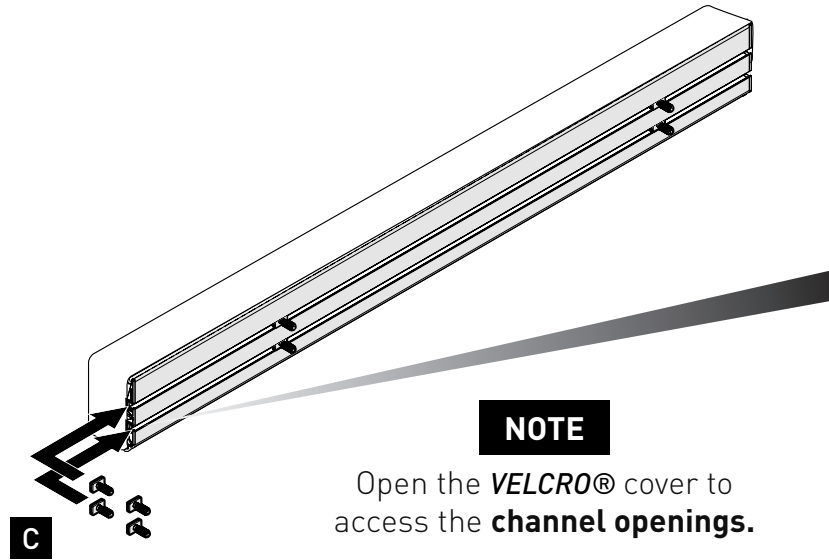
9

**SPORTZ CROSSBAR:**



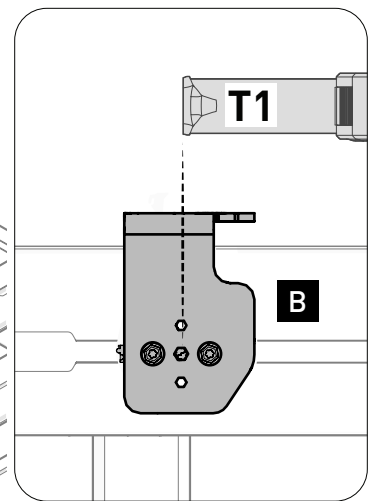
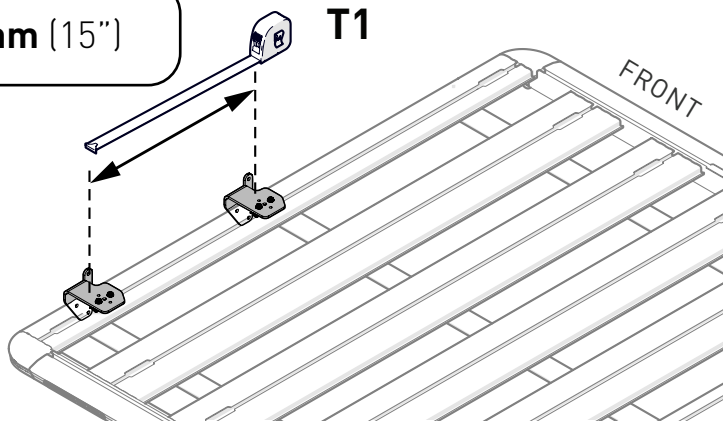
Once completed, skip to Step **10**

10



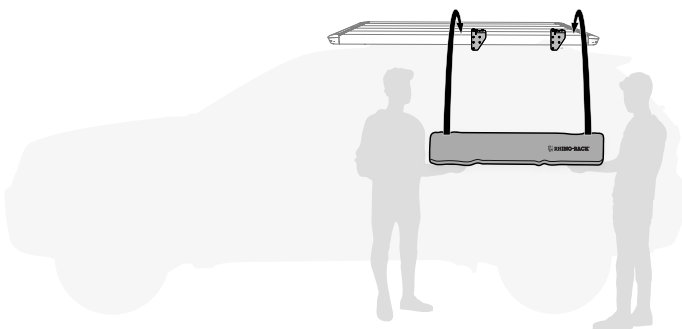
11 Measure the distance between the Base Bracket centers.

MIN: 400mm (15")

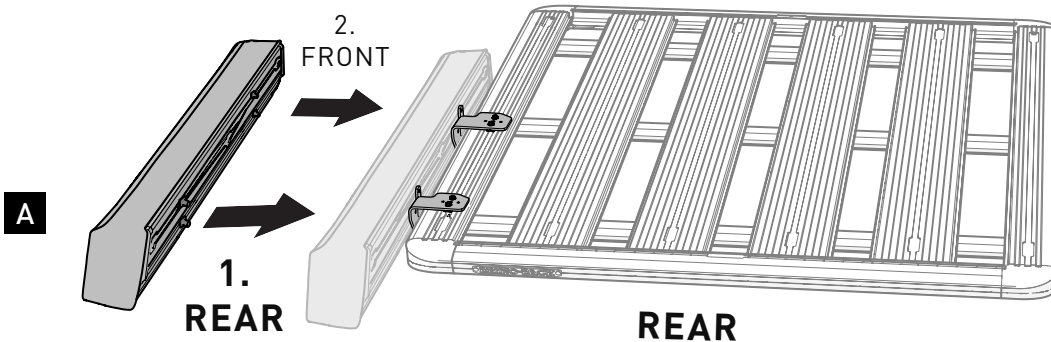
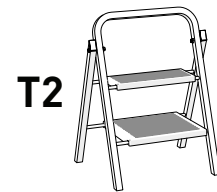


NOTE: Example depicts Pioneer Platforms. Also applies to Cross Bars.

12 Place Awning onto Base Brackets.



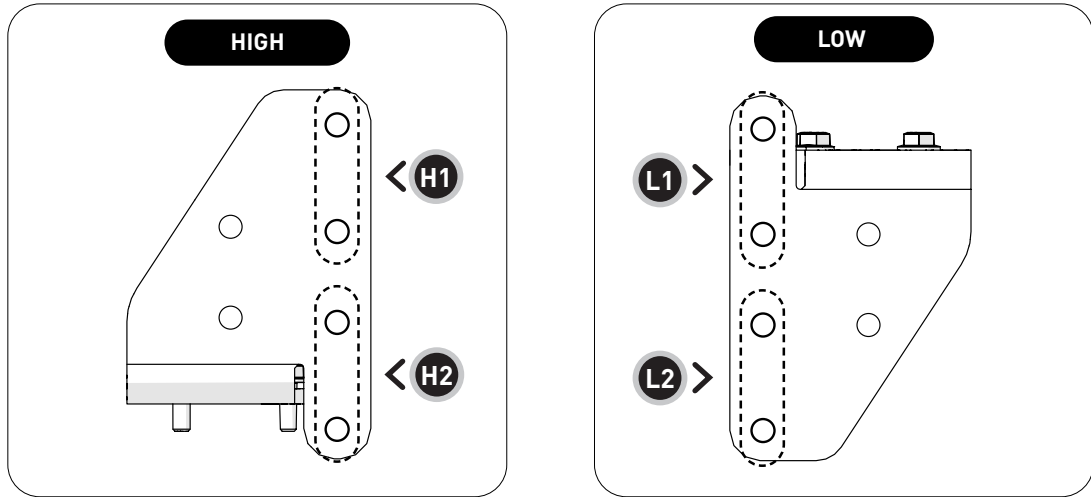
NOTE: Step Ladder may be required for taller vehicles.



**IMPORTANT:** Inspect both connections overhead before releasing awning.

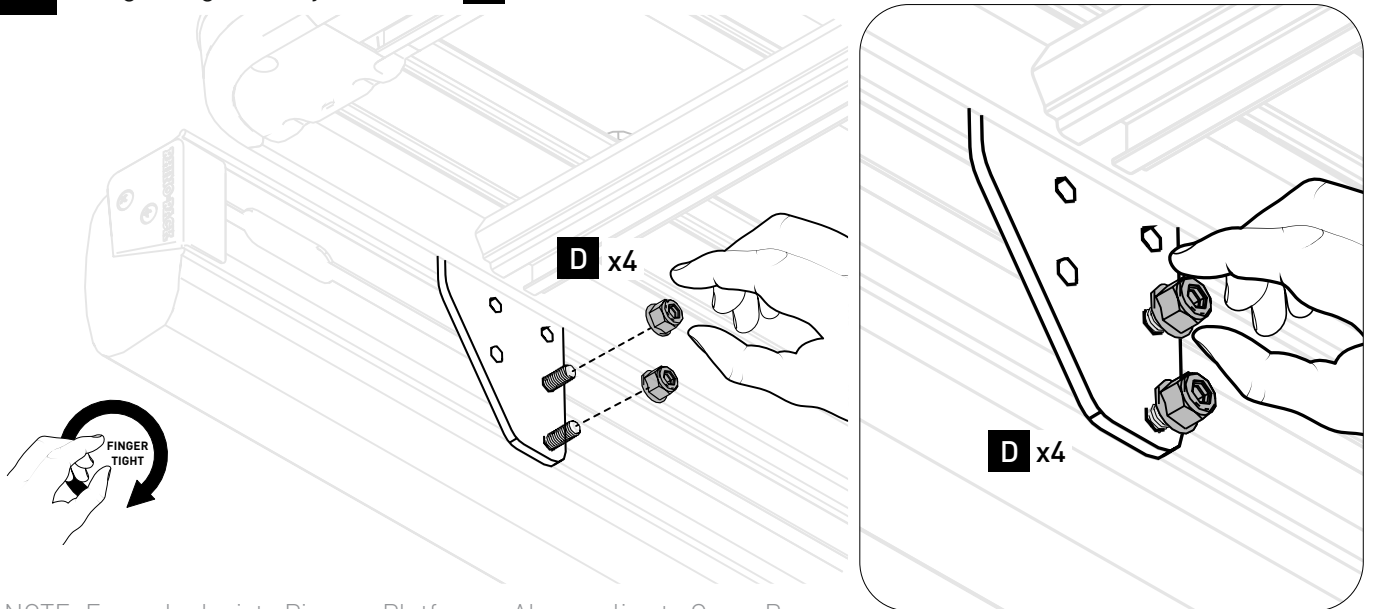
NOTE: Example depicts Pioneer Platforms. Also applies to Cross Bars.

13



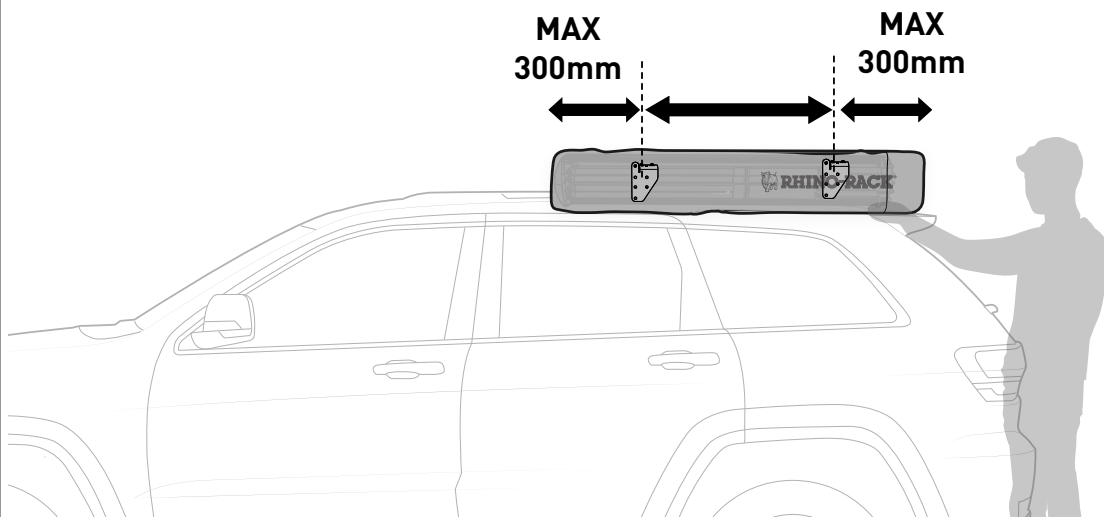
Refer to **Page 5**. for specific configuration heights.

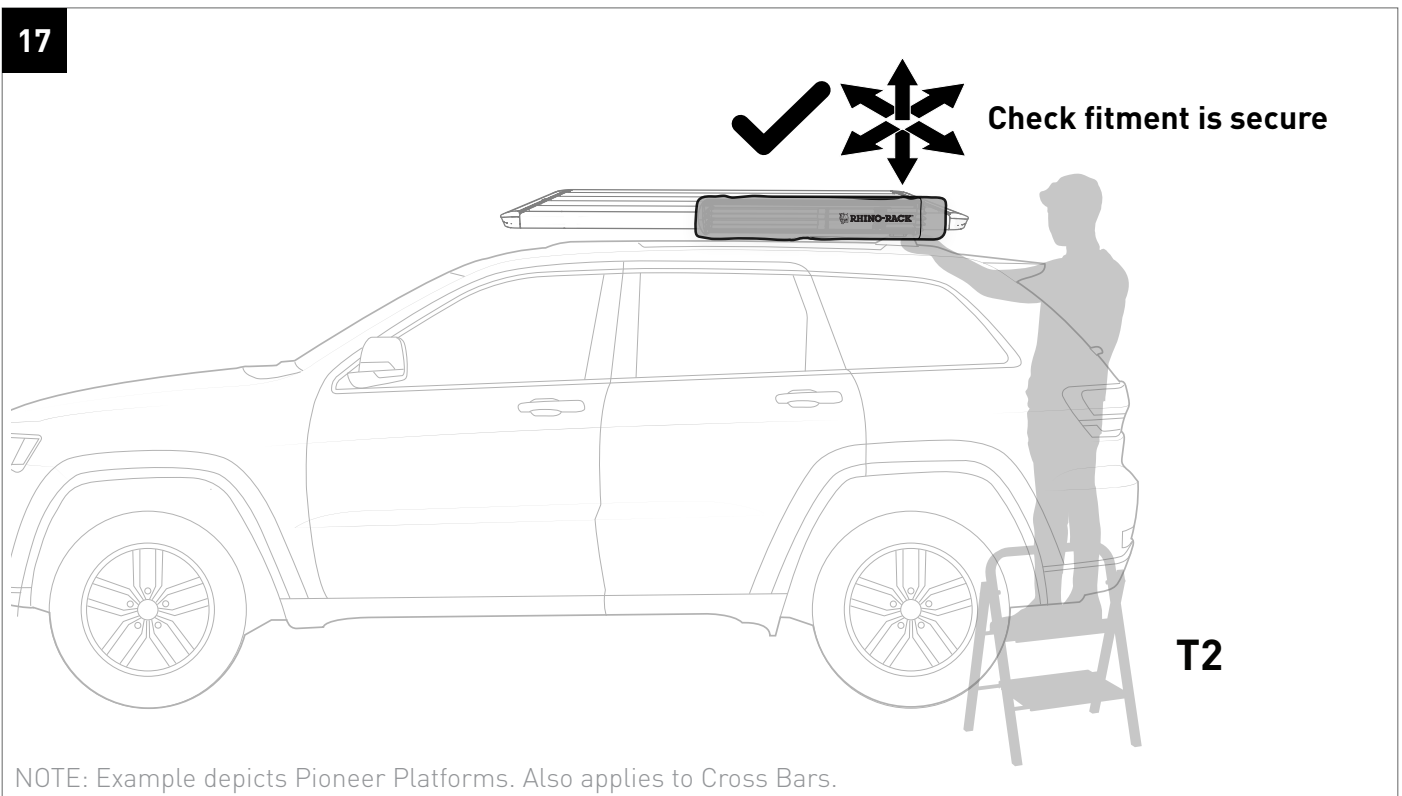
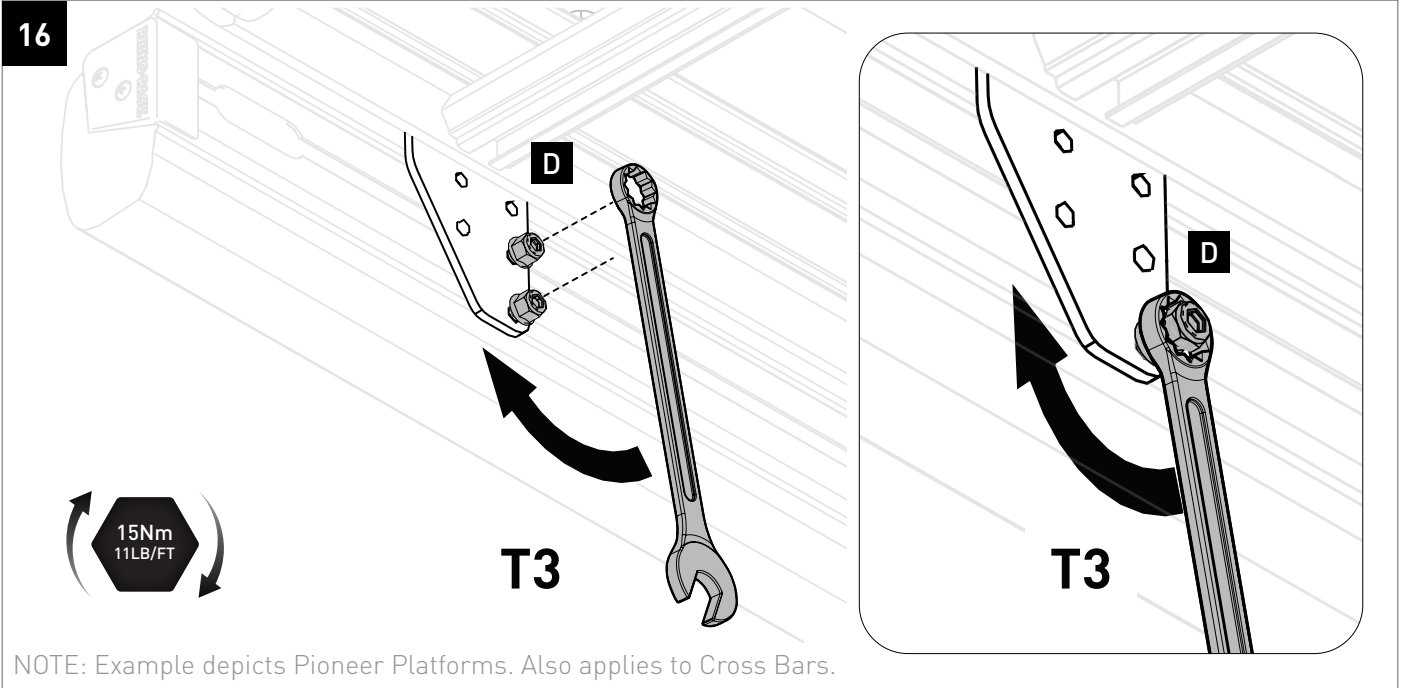
14 Finger-tighten Nyloc Nuts (**D**) at all four locations.



NOTE: Example depicts Pioneer Platforms. Also applies to Cross Bars.

15 Position Shower Tent to below dimensions.  
**NOTE:** Be aware of tail gate position and adjust awning accordingly.

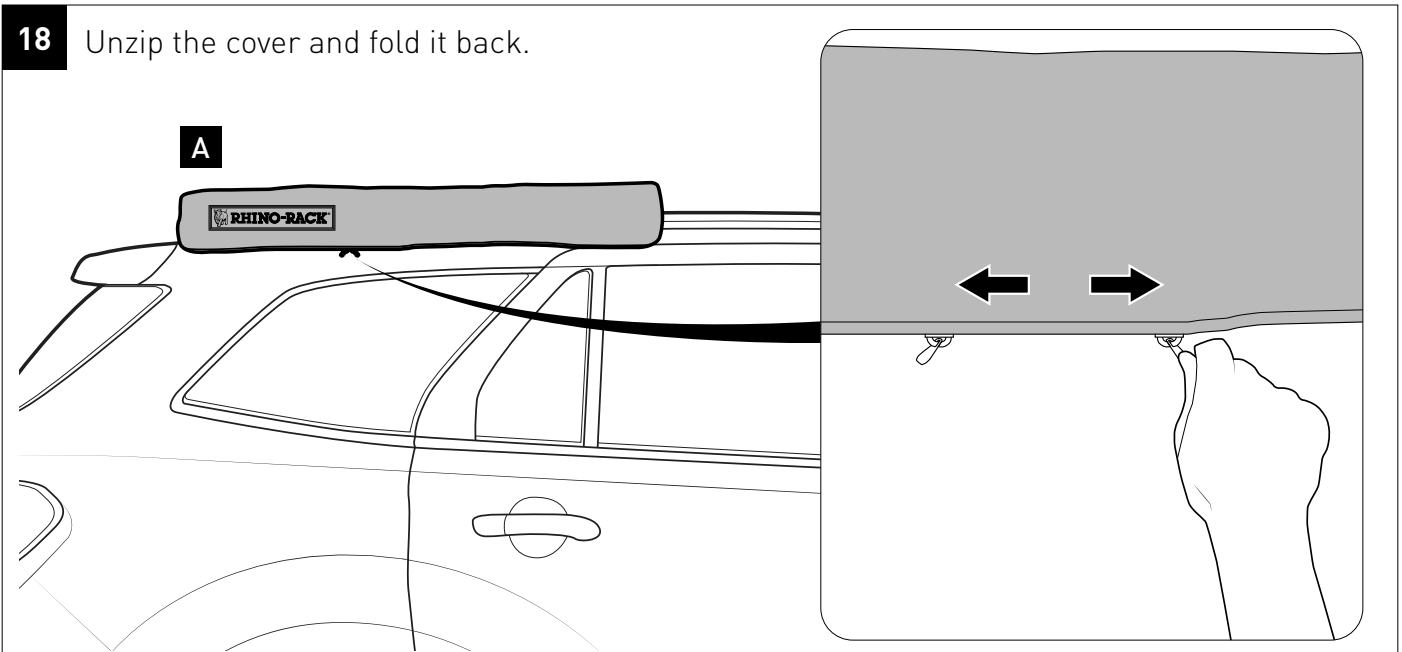




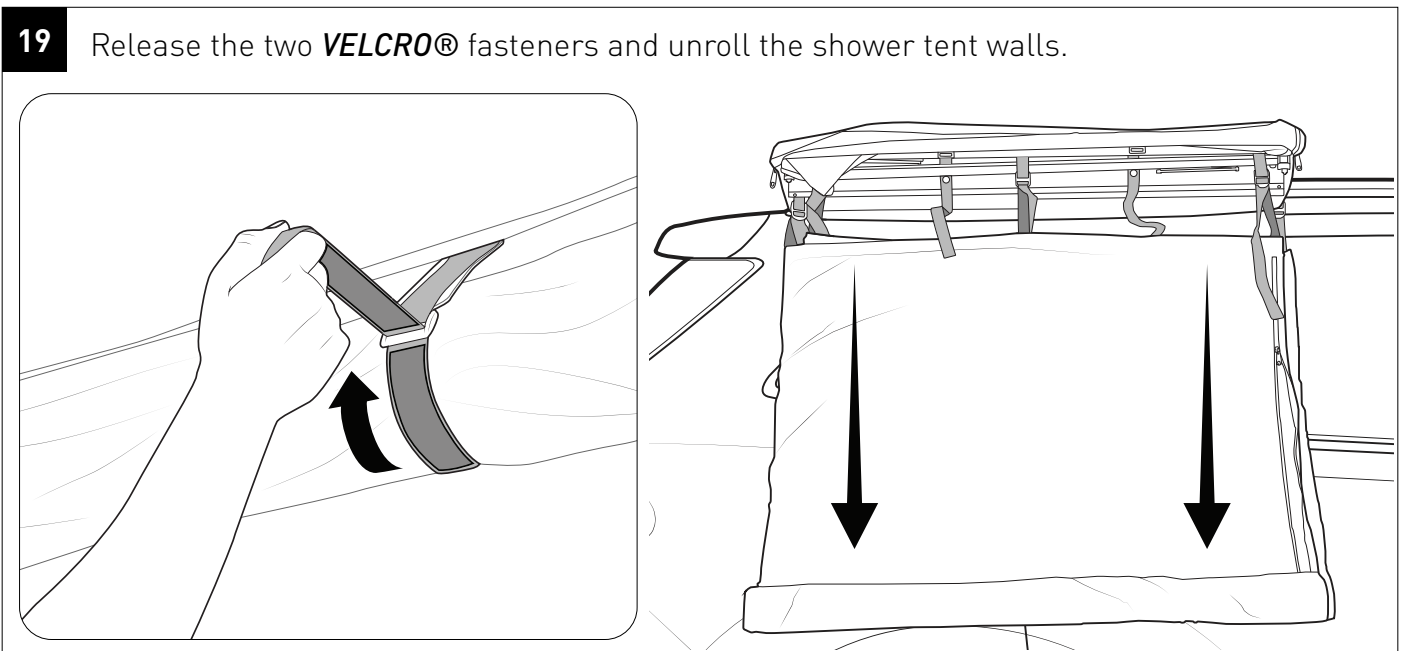
🚩🚩 **Installation Complete.** 🚩🚩

## SHOWER TENT OPERATION

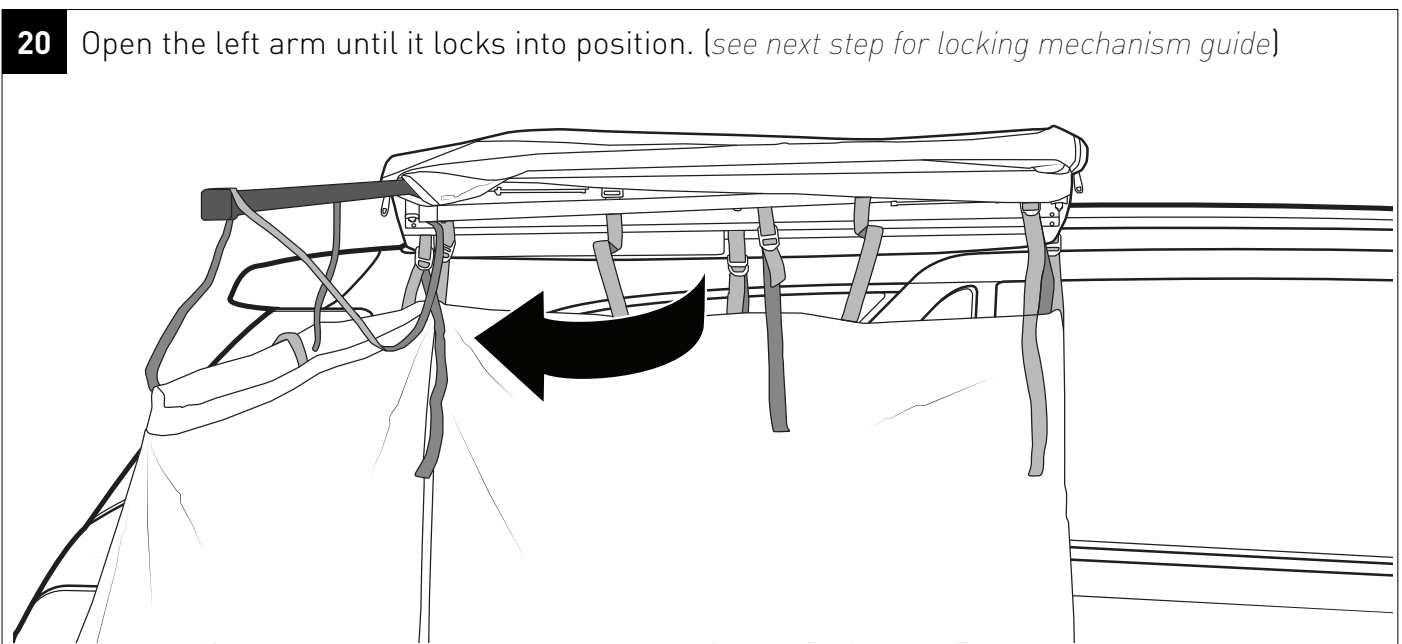
**18** Unzip the cover and fold it back.



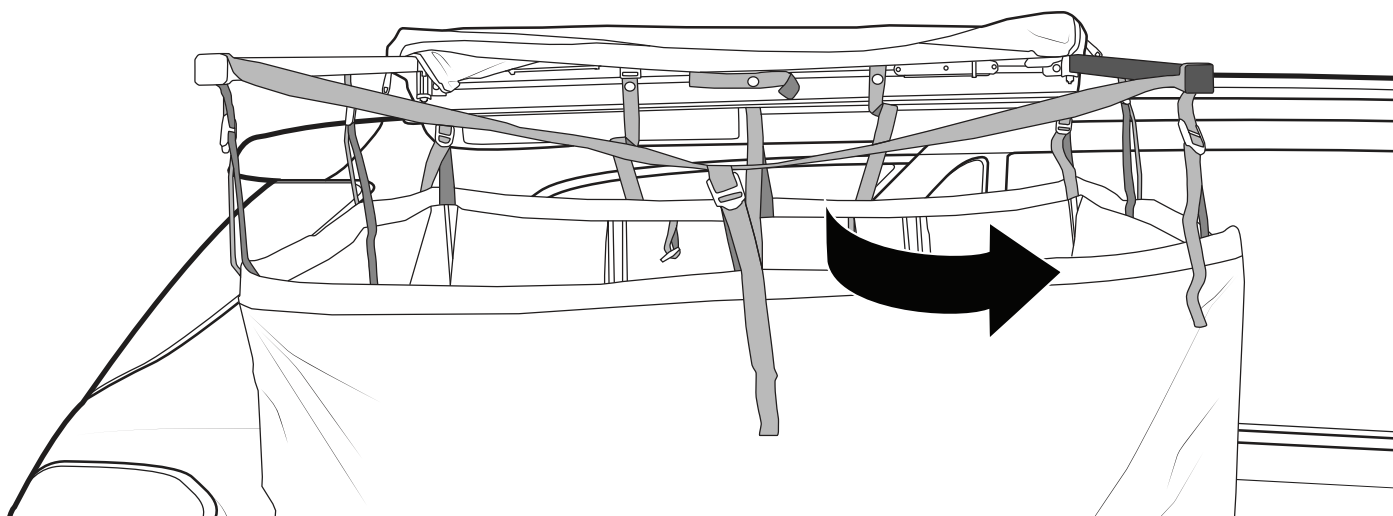
**19** Release the two **VELCRO®** fasteners and unroll the shower tent walls.



**20** Open the left arm until it locks into position. *(see next step for locking mechanism guide)*

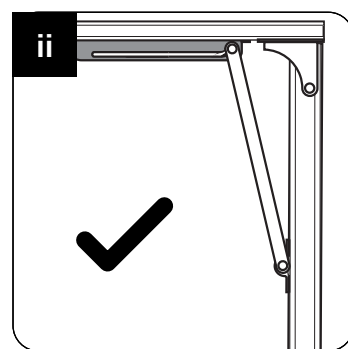
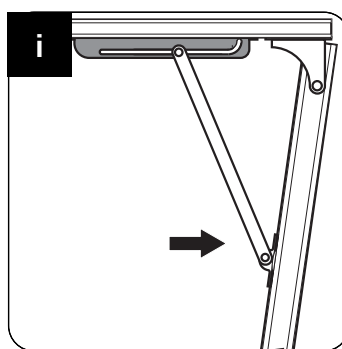
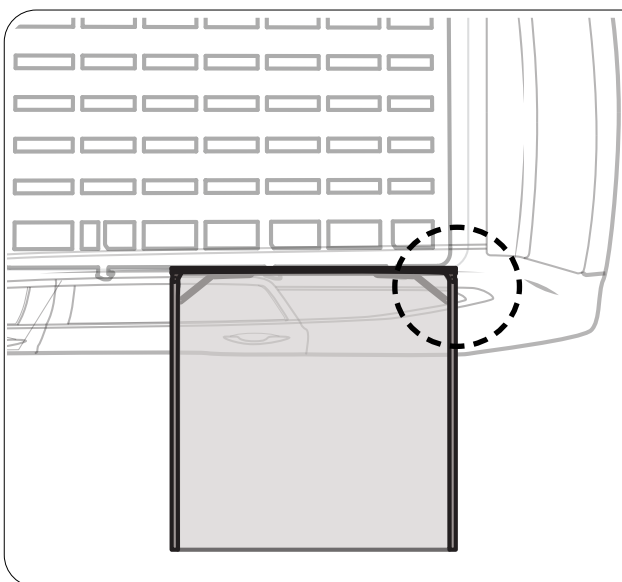


21 Open the right arm until it **locks** into position.

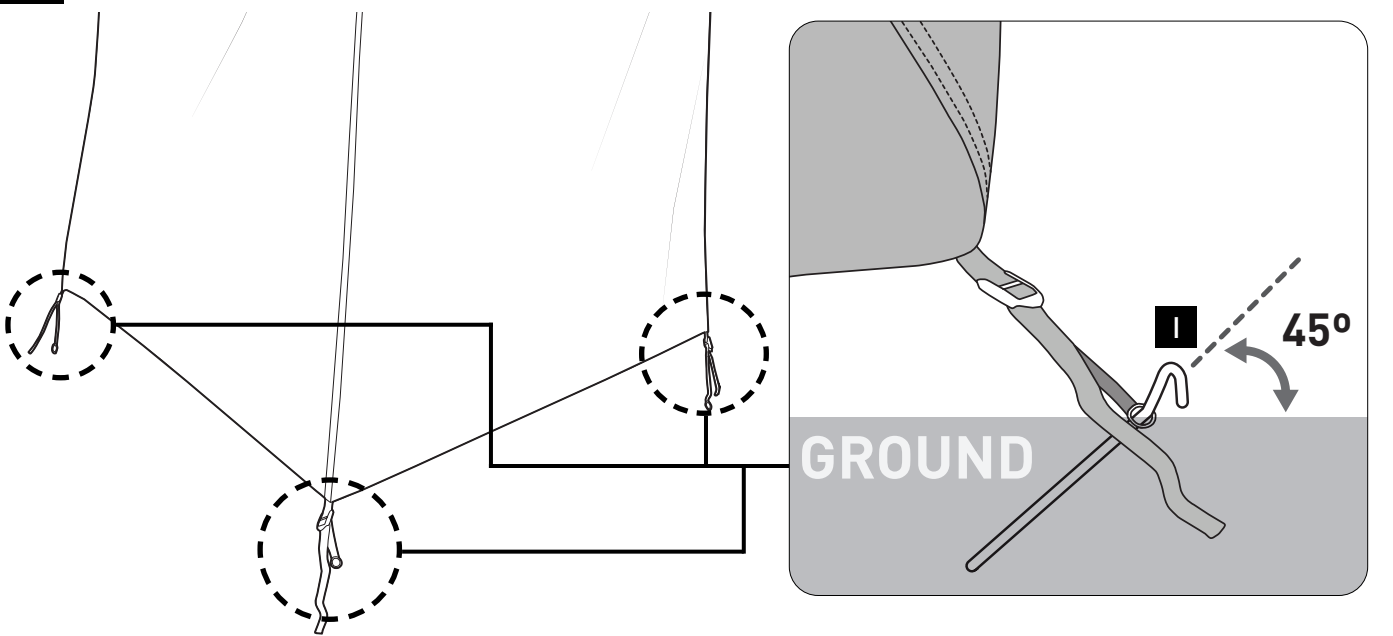


**NOTE**

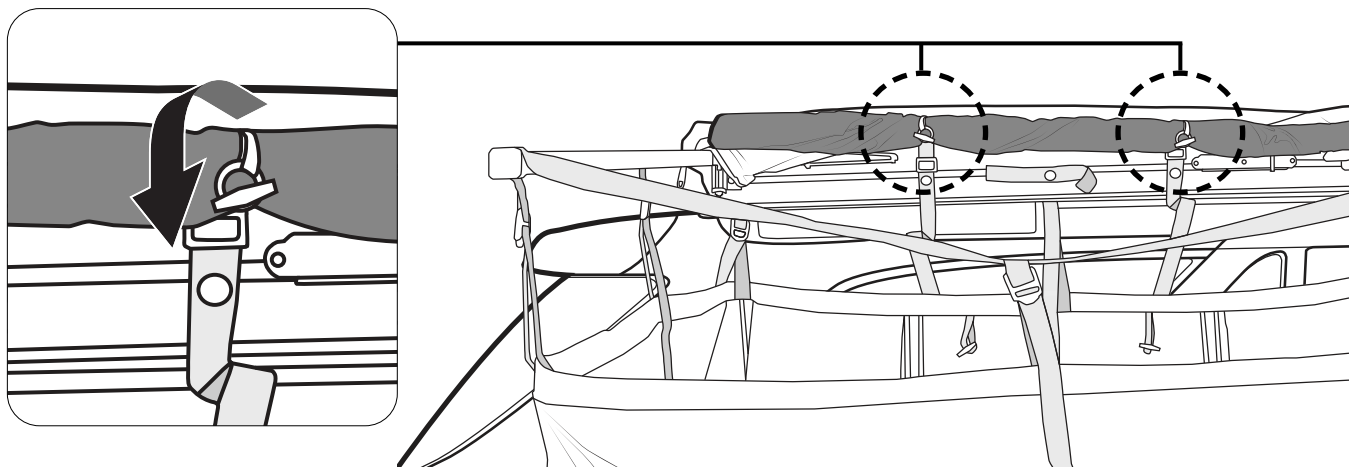
Press **outwards** to *engage* the locking mechanism.



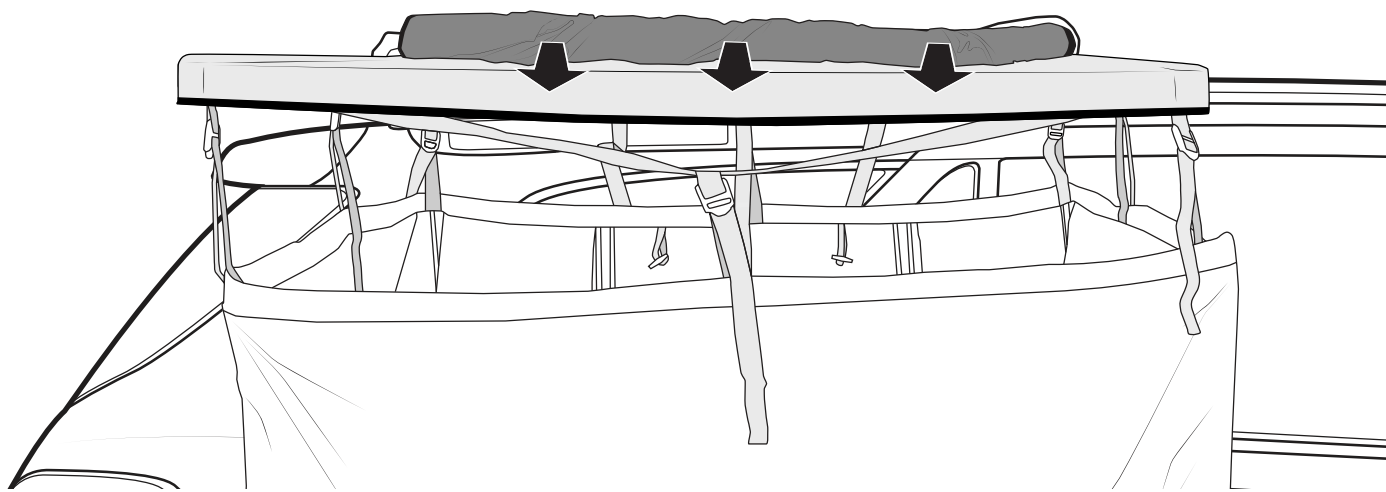
22 Peg out the base of the Shower Tent walls at each of the four corners.



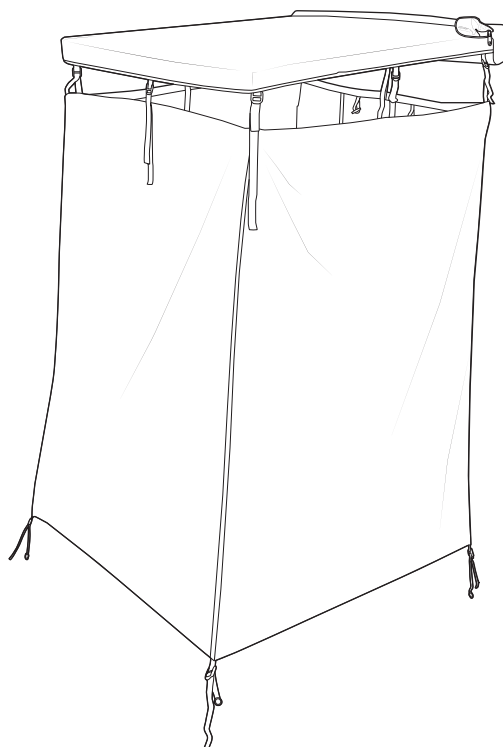
**23** Undo the two toggles and release the Shower Tent roof.



**24** Unfold the Shower Tent roof and place over the arms.



**25**



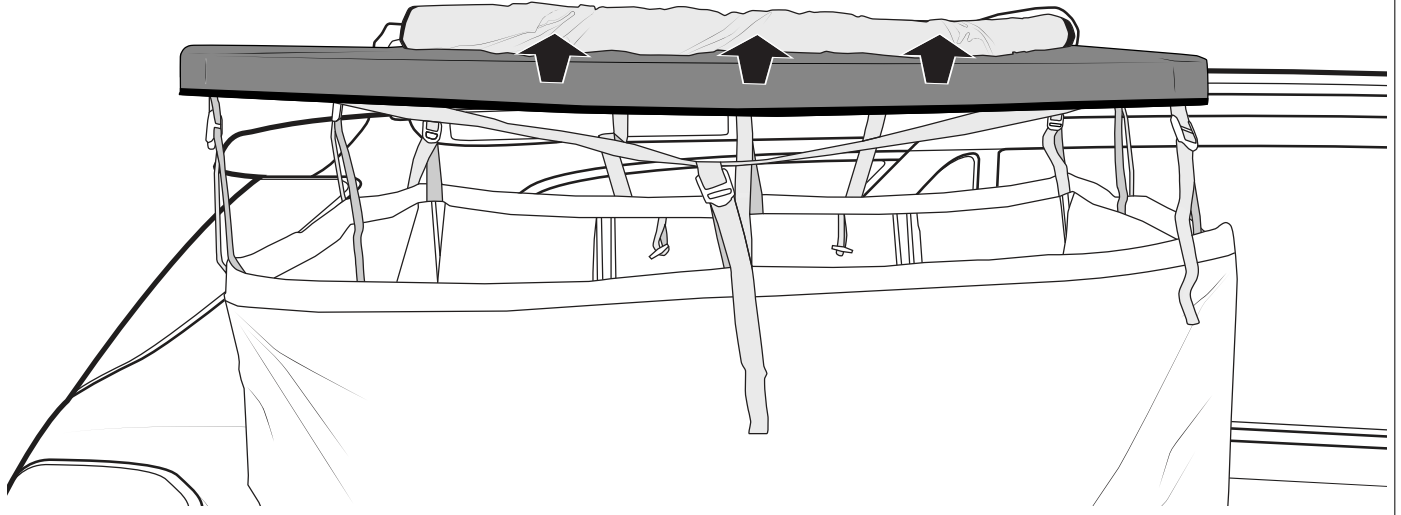
**Set up Complete.**



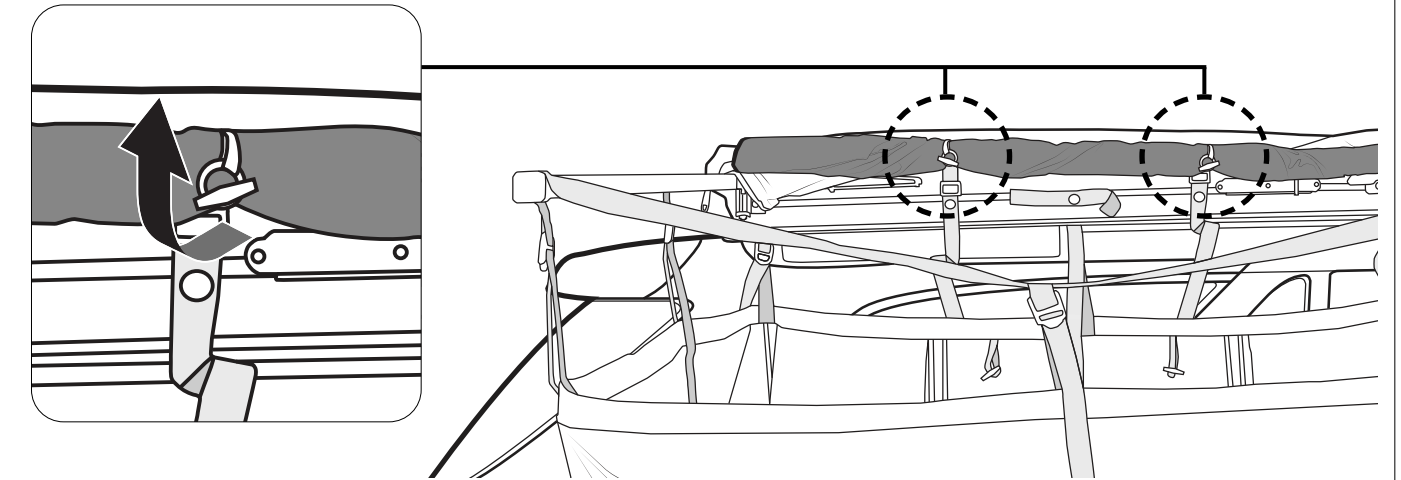
## STOWAGE INSTRUCTIONS

(Completion of Steps **18** - **25** in REVERSE order. Use below steps for reference)

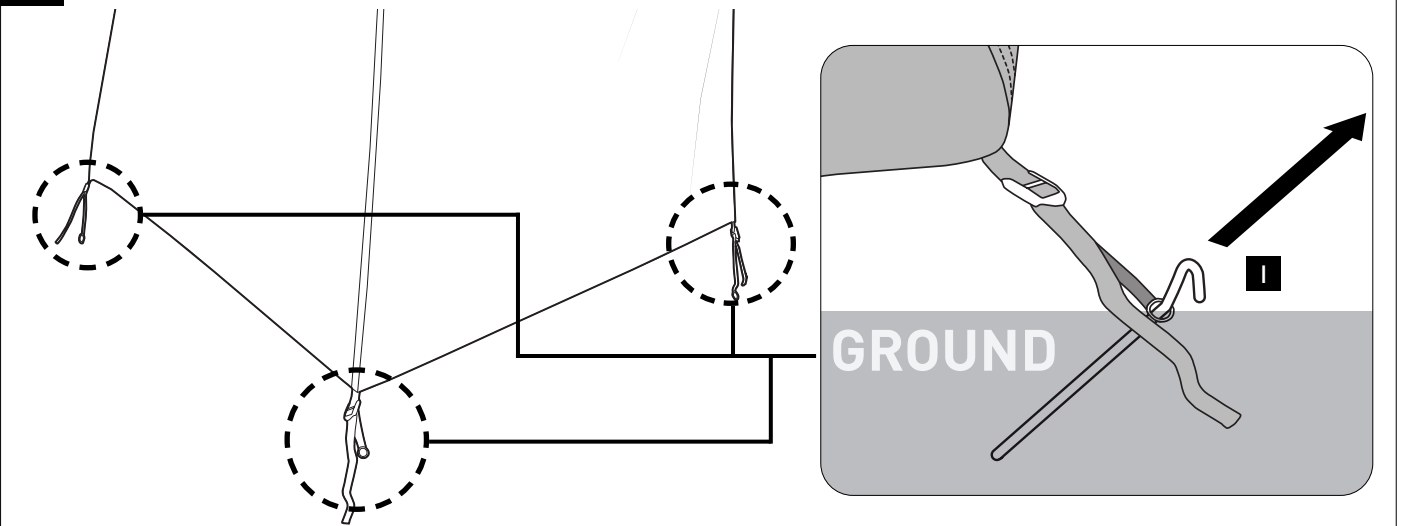
**26** Roll up the shower tent roof.



**27** Tie up the **two toggles** to secure the Shower Tent roof.

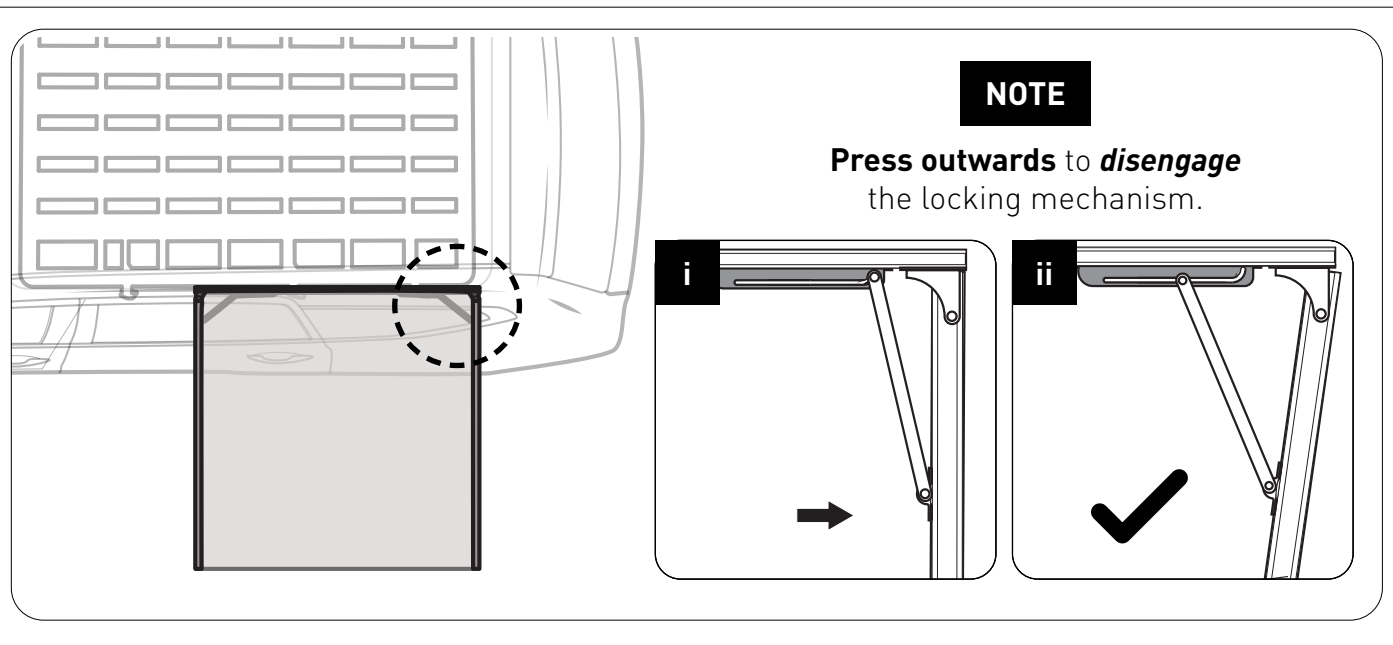


**28** Remove **All** the pegs at the base of the Shower Tent.

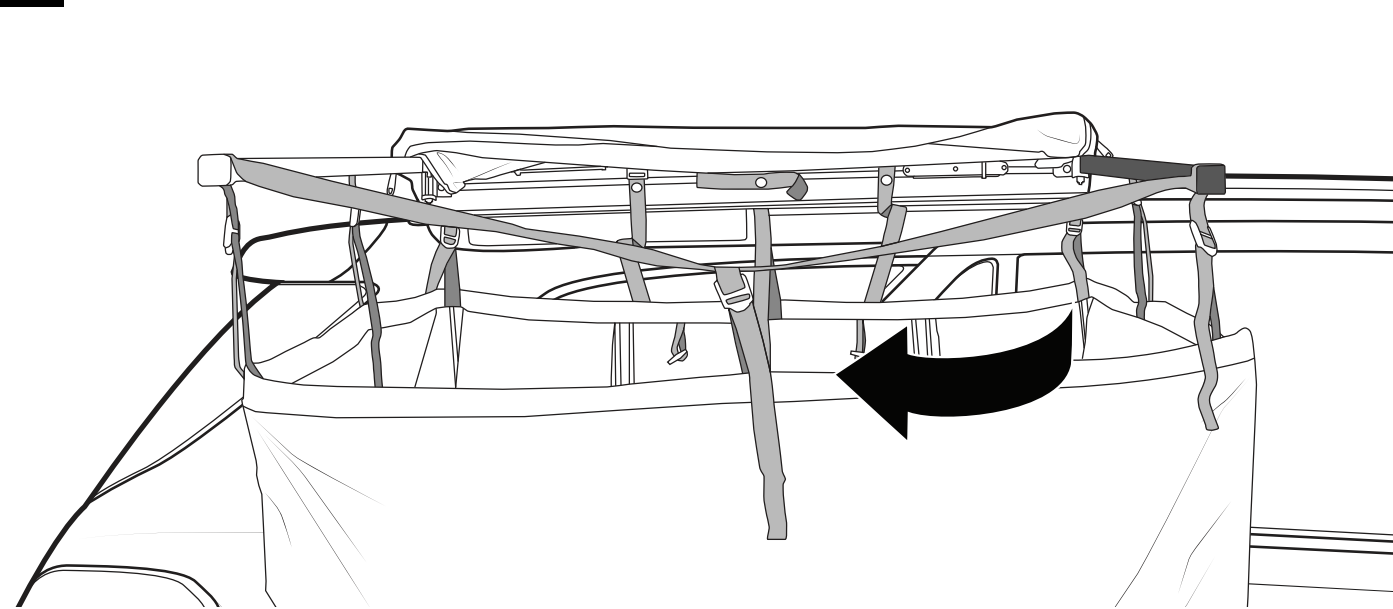


**NOTE**

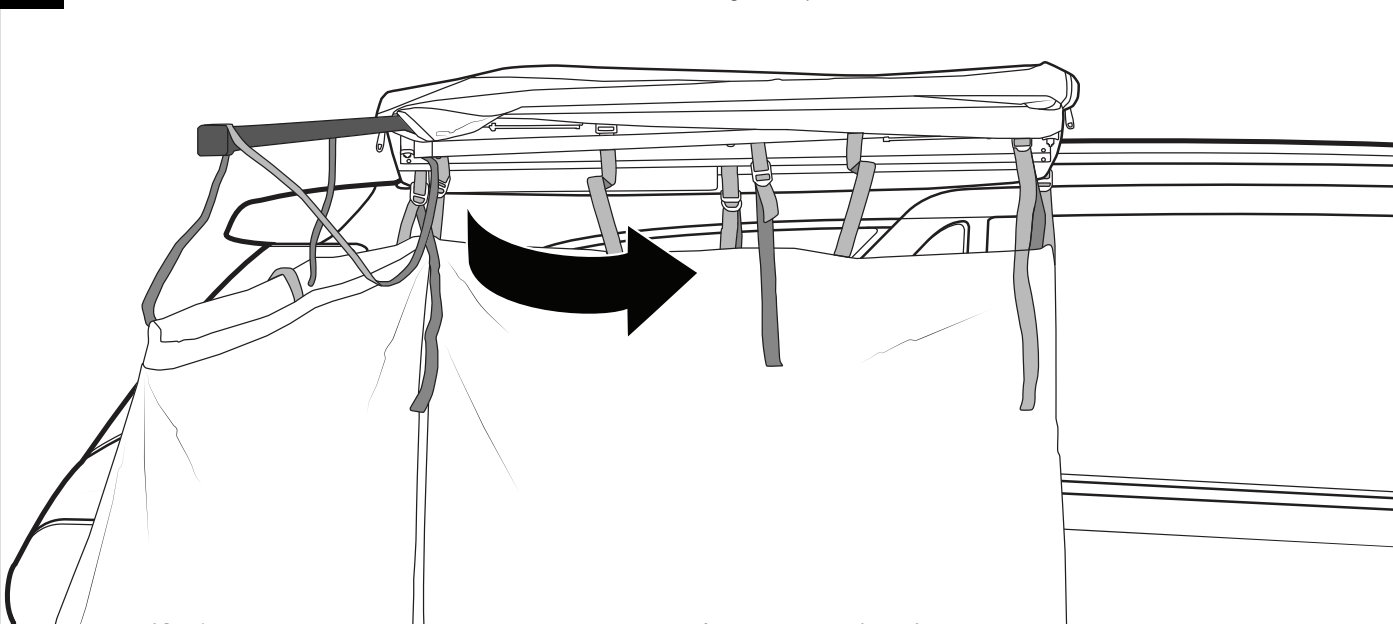
Press outwards to *disengage* the locking mechanism.



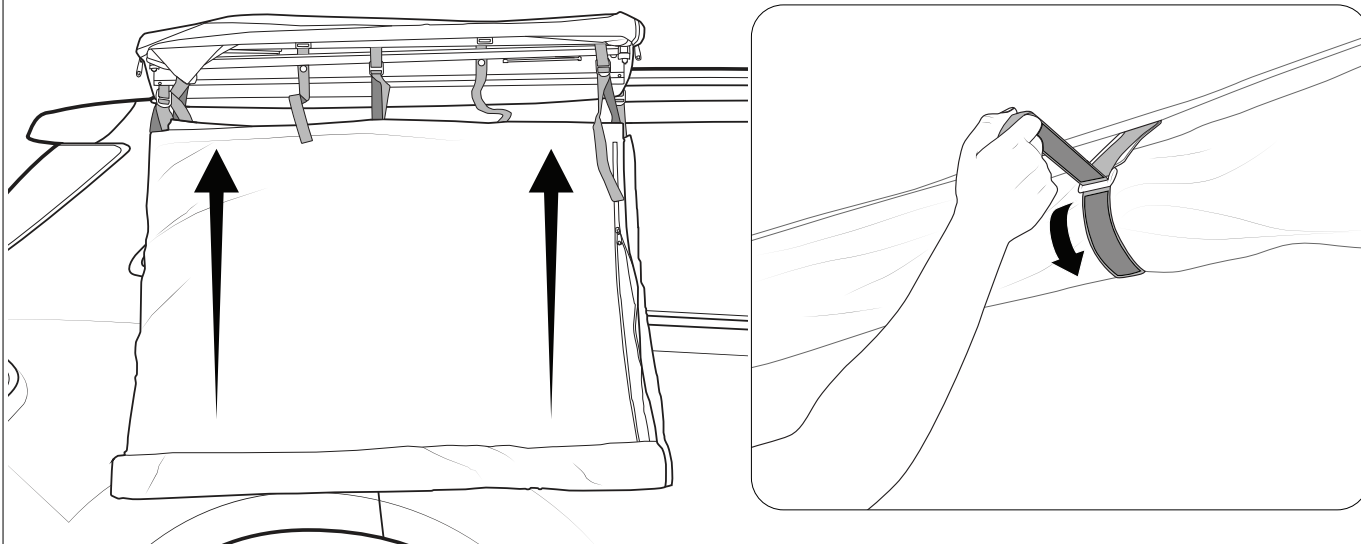
**29** Unlock the right side arm and return it to its original position.



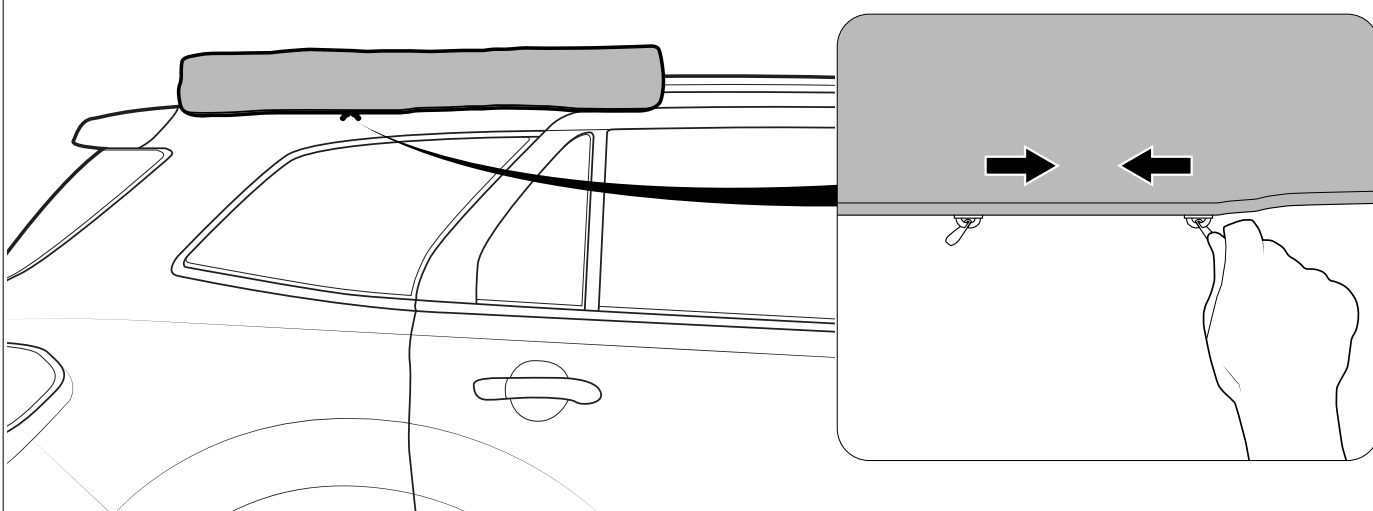
**30** Unlock the left side arm and return it to its original position.



**31** Roll up the shower tent and tighten the two **VELCRO®** fasteners.



**32** Cover the Shower Tent arms with the cover and zip it closed.

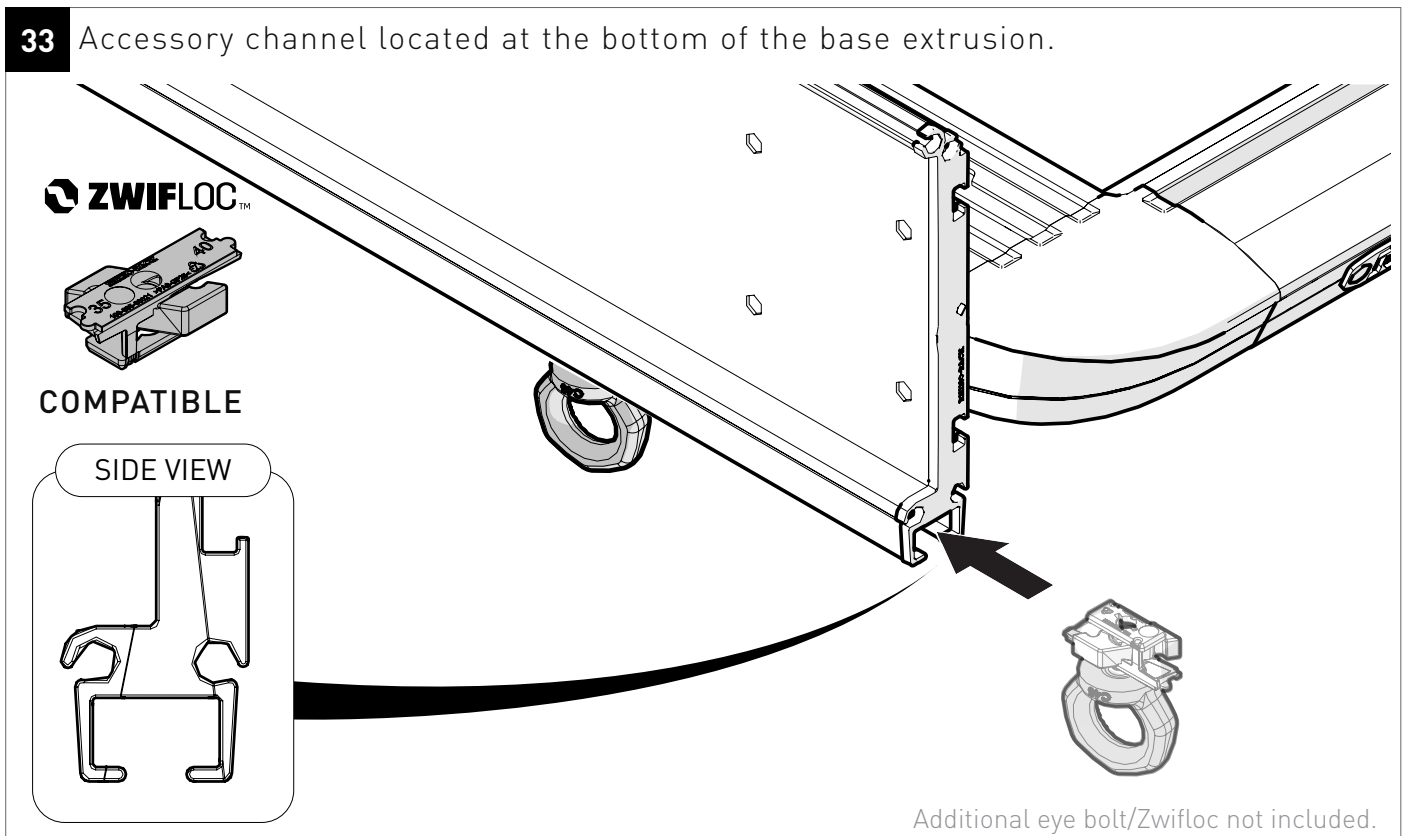


**Operation** Complete.

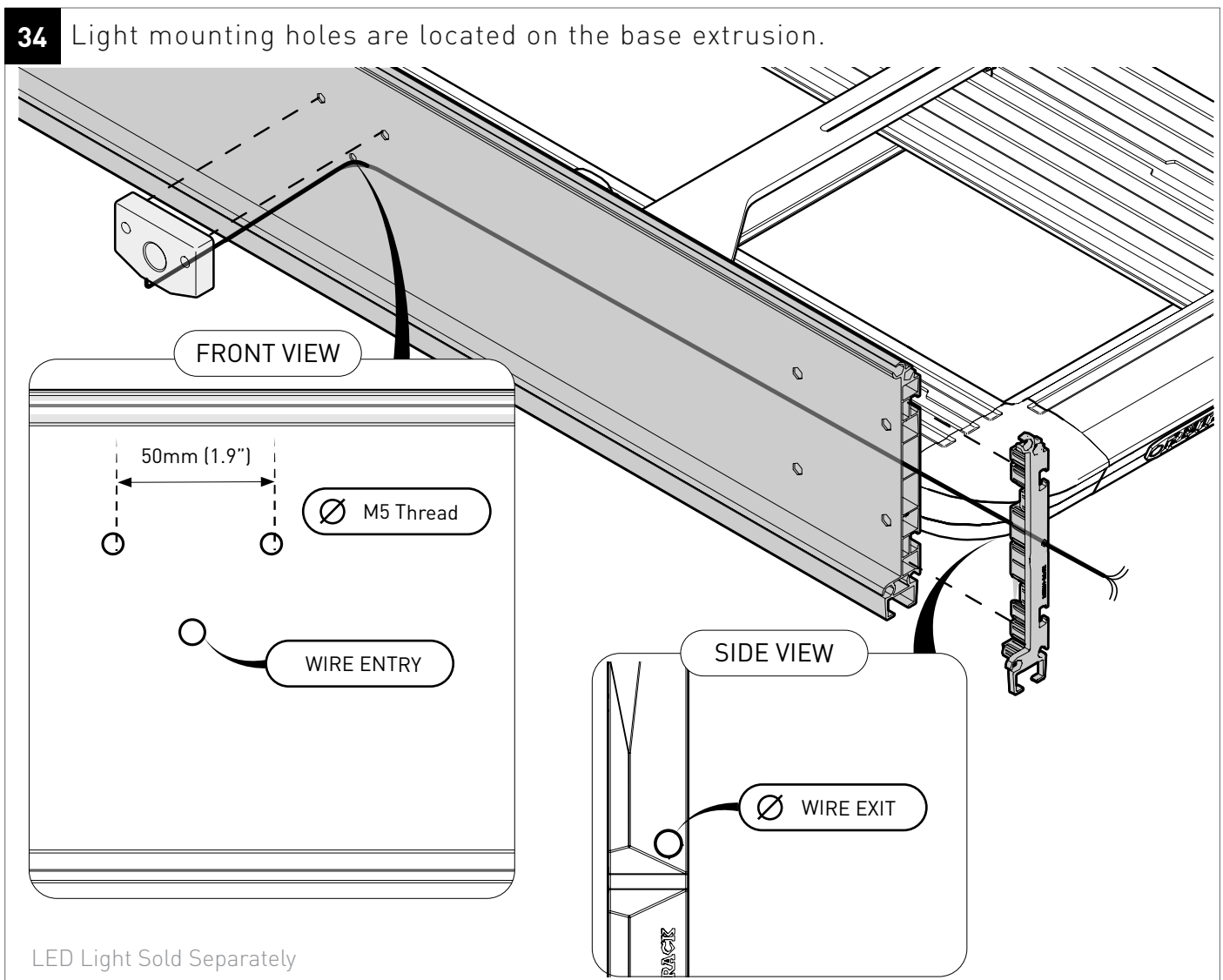


## ACCESSORIES

**33** Accessory channel located at the bottom of the base extrusion.



**34** Light mounting holes are located on the base extrusion.



# NOTES

---

---

---

---

---

---

---

# NOTES

---

---

---

---

---

---

---

# NOTES

---

---

---

---

---

---

---



**RHINO-RACK®**  
MAKE SPACE FOR ADVENTURE

**RHINORACK.COM**

**Rhino-Rack AUSTRALIA**  
22A Hanson Place,  
Eastern Creek, NSW 2766

**Rhino-Rack USA**  
19822 E. 22nd Avenue,  
Unit B, Aurora, CO 80011